



IColor™ 350 Dye Sublimation Transfer Media Printer User Manual



October 2022 Edition – A newer version of this manual may be available at www.icolorprint.com/support

Table of Contents

Installation Environment	Page 3
IColor™ 350 Model Summary	Page 3
Unpacking and Installing Consumables	Page 4 - 7
Loading Paper	Page 7 - 9
Control Panel Layout	Page 10
IColor™ 350 Driver Installation Instructions	Page 11 - 12
Network Setup	Page 13 - 16
USB Setup	Page 16 - 18
Wireless Setup	Page 18 - 21
Setting a Static IP	Page 21
Warnings	Page 21
Installing the IColor™ 350 Dye Sublimation ICC Profile	Page 22
Before you print with the IColor™ 350	Page 22 - 23
IColor ProRIP Software Installation (optional)	Page 24 - 27
IColor ProRIP First Time Setup	Page 27 - 32
Using the ProRIP Software (Summary)	Page 33 - 37
Printing with the IColor™ 350	Page 38
Specific Substrate Instructions	Page 38 - 41
Removing Polymer Residue on Hard Surfaces	Page 41
IColor™ 350 Tech Tips	Page 42
Using Genuine IColor™ Consumables	Page 43
Replacing the Print Cartridges	Page 43 - 45
Replacing the Waste Toner Bottle	Page 45 - 47
Non User Replaceable Components	Page 47
Cleaning the Toner Density Sensor	Page 48
Cleaning the Registration Roller	Page 49
Cleaning the Paper Tray, Friction Pad and Paper Feed Roller	Page 49 - 50
Removing Paper Jams	Page 50 - 52
IColor™ 350 System Specifications	Page 53

Installation Environment

⚠ Install the printer in the following environment.

- **Optimal Humidity Level: 45% - 65%**
- **Optimal Temperature Range: 50°F / 10°C - 75°F / 24°C**

⚠ Operation outside of these recommend parameters may lead to poor results.

⚠ The use of a dedicated circuit of at least 15 amps is required to avoid potential fusing issues.

⚠ Power consumption (max): 11 amps (120v models) or 6 amps (230v models)

IColor™ 350 Dye Sublimation Media Printer Model Summary

The IColor™ 350 is an on-demand, full color toner-based dye sublimation transfer printer for short to mid run dye sublimation transfer production of garments, hard surfaces, and much more! The IColor™ 350 does not require special software or special transfer media! Keep costs low by printing on regular copy paper instead of expensive dye sublimation media.

What's so unique about the IColor™ 350 dye sublimation printer compared to ink based systems?

- Suited for a production level environment, the IColor™ 350 features vastly faster print speeds: 20 pages per minute vs 1 page per 2 minutes for ink (photo mode)
- No clogged heads resulting from non-use. Toner based systems do not have this maintenance issue.
- Much longer expiration date on toner (ink expires within one year). Uninet suggests the cartridges are used within a 2 year period.
- Much higher page yield options.
- The ability to use regular copy paper rather than specific dye sub media.

What is Dye Sublimation?

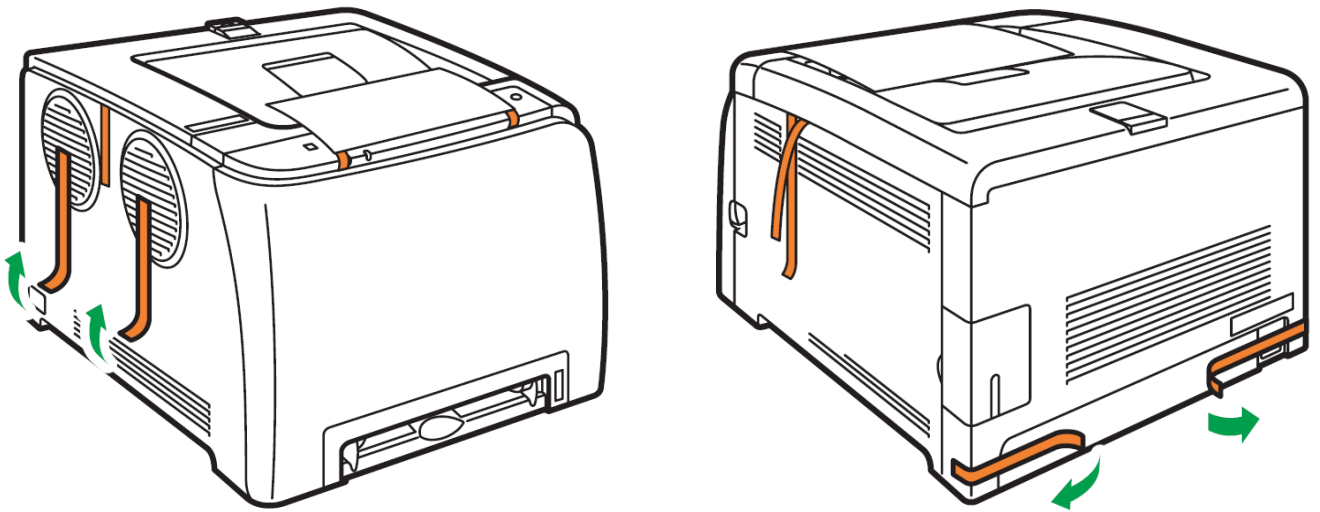
The IColor™ 350 printer uses heat to transfer an image printed with dye sublimation toner onto polyester coated materials such as a plastic, ceramics and fabric. This is a fast and easy way to transfer images, since it is a one step process and the image is permanent. The toner serves as a carrier for the sublimation dye, which transitions from a solid to a gas state. Thus, your transferred image is 'in' the substrate, not on top like heat transfers are. Since white underbase is not possible using this technique, all transfers must be done on white or light colored materials.

Amplify your printed offerings by producing high quality, vibrant color prints for sublimation transfers onto polyester-based textiles and sublimation coated hard surface substrates such as ceramic, metal, acrylic, UniSub, DynaSub, Subliboard and more.

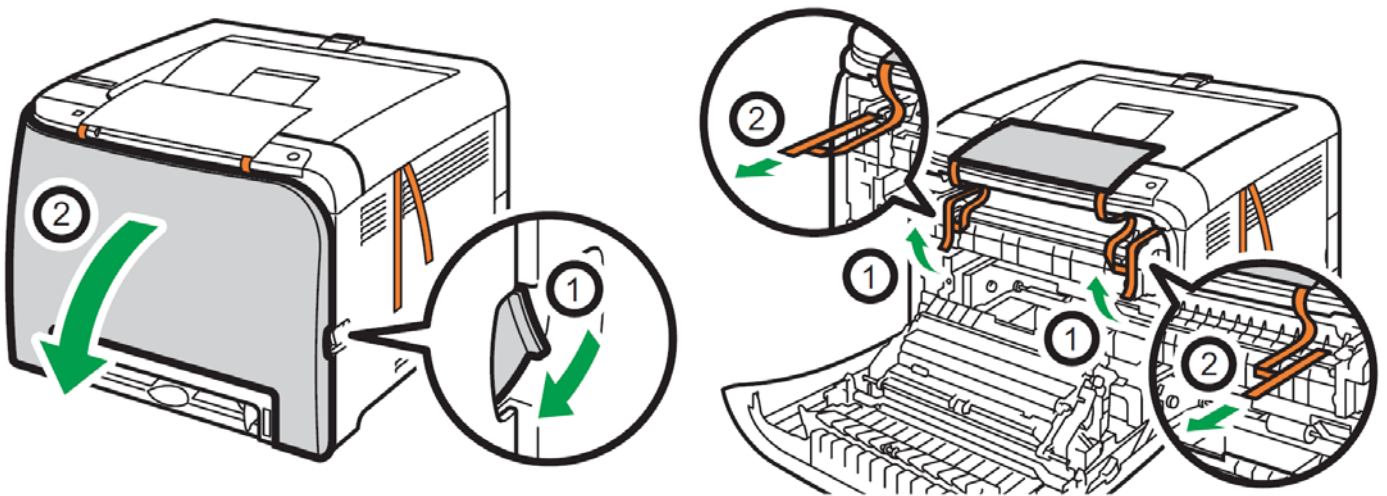
Getting started with dye sublimation is now easier and more affordable than ever. This low cost solution allows for the creation of garments, ceramic mugs, coasters, cell phone covers and other wearables.

UNINET IColor™ Sublimation Toner Cartridges offer higher yields compared to ink sublimation systems, and print at much higher speeds for greater efficiency and productivity.

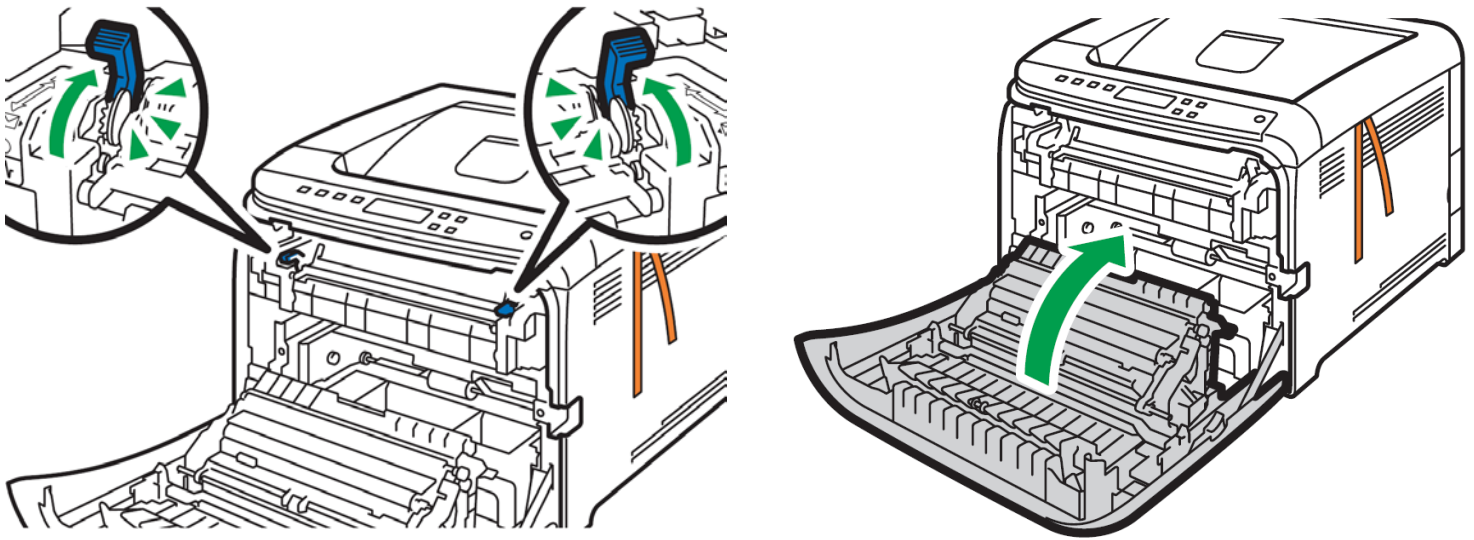
Unpacking and installing consumables



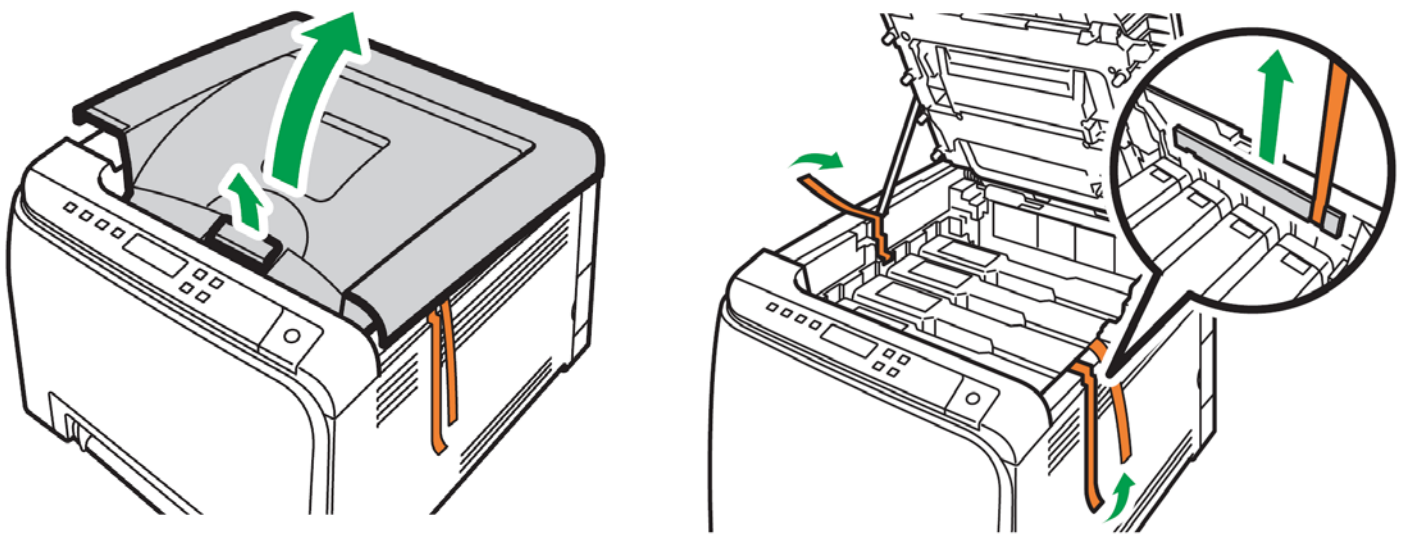
1. Remove orange security tape and packing material from around the printer.



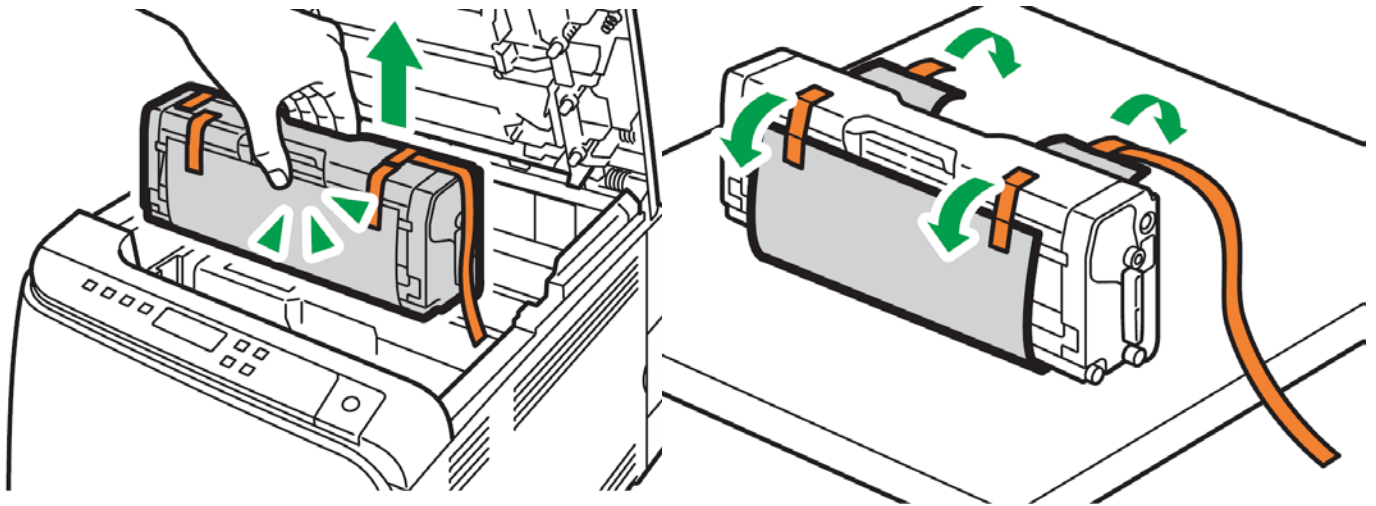
2. Open front cover and remove the security tape from inside the printer.



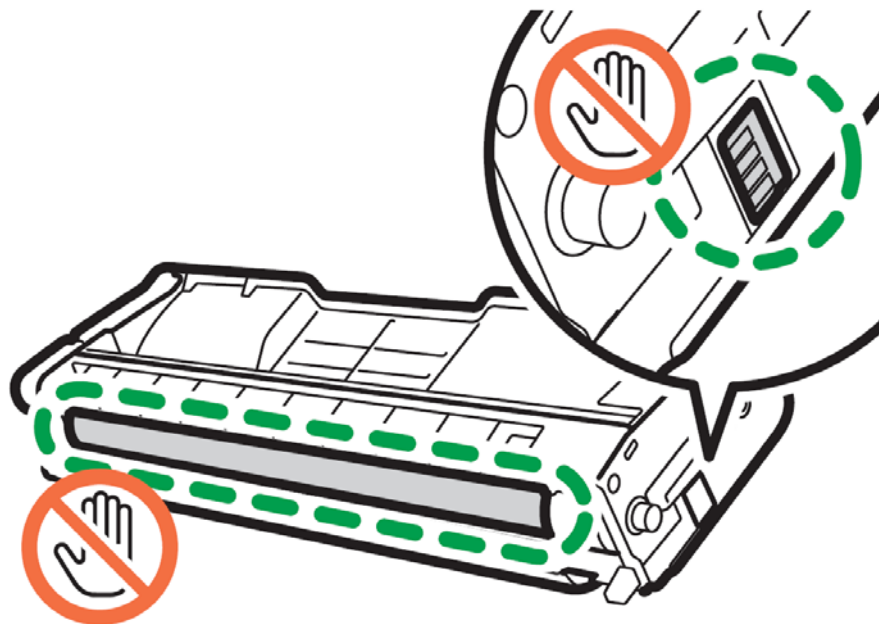
3. Flip up the blue handles to engage the fuser, then close the front cover.



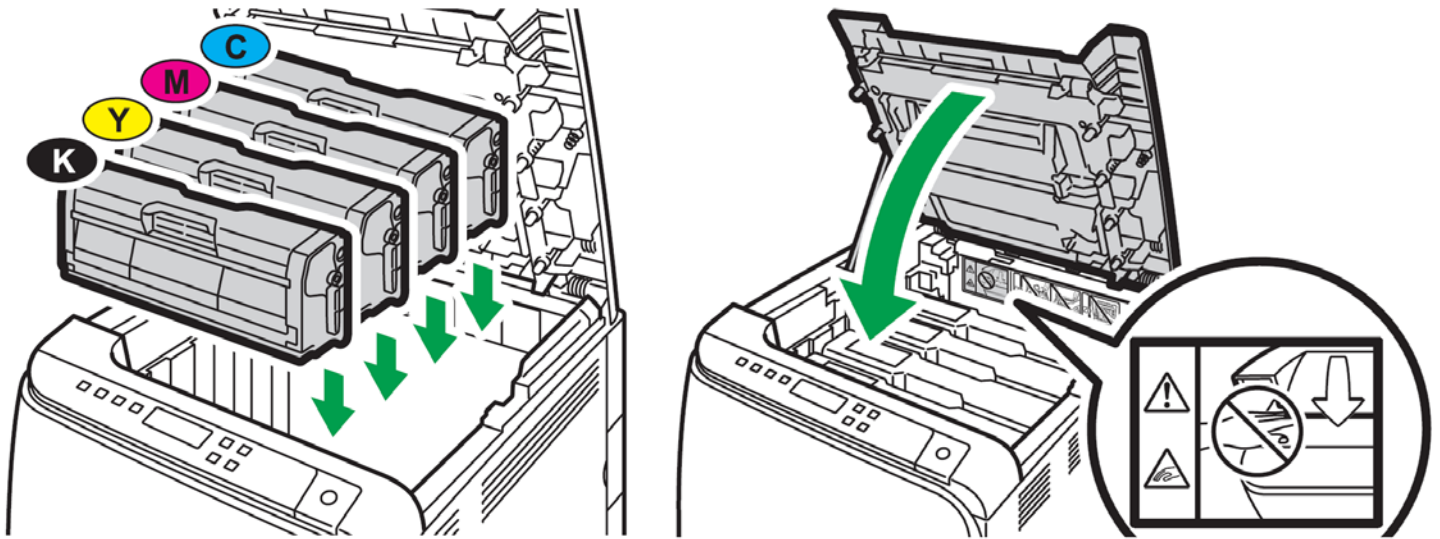
4. Open the top cover and remove orange security tape and packing material from inside the printer.



5. Remove the black toner cartridge from the front of the machine.
 - Place it on a flat, solid surface and carefully remove the orange security tape and protective paper.

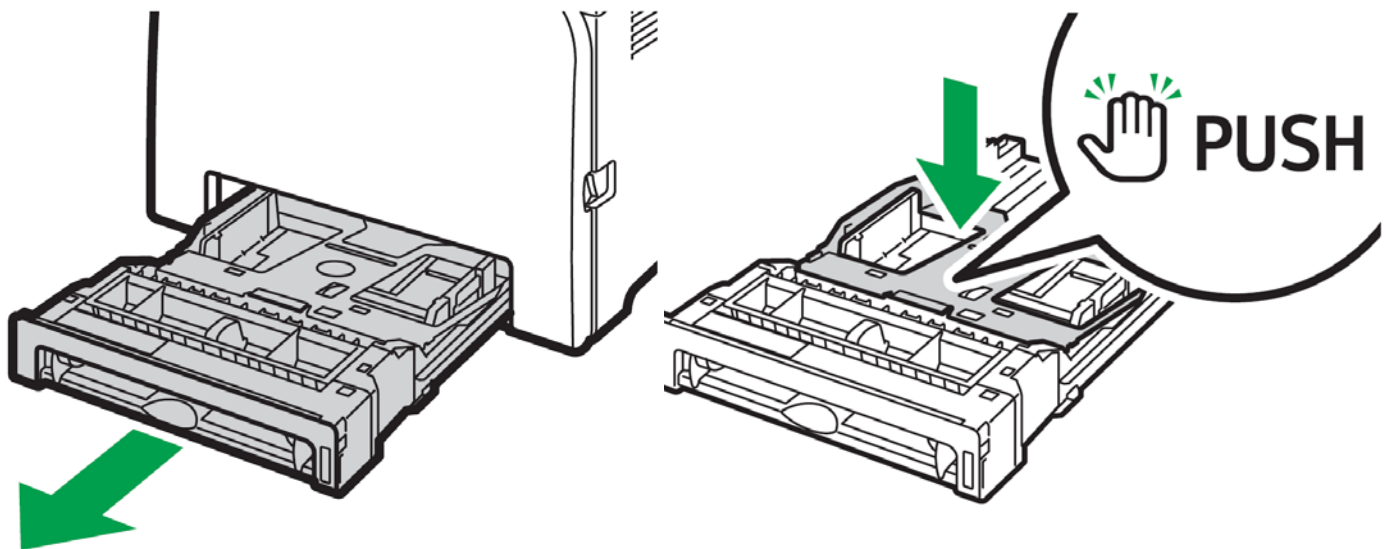


6. Be careful not to touch the drum or the contacts on the side of the cartridge.

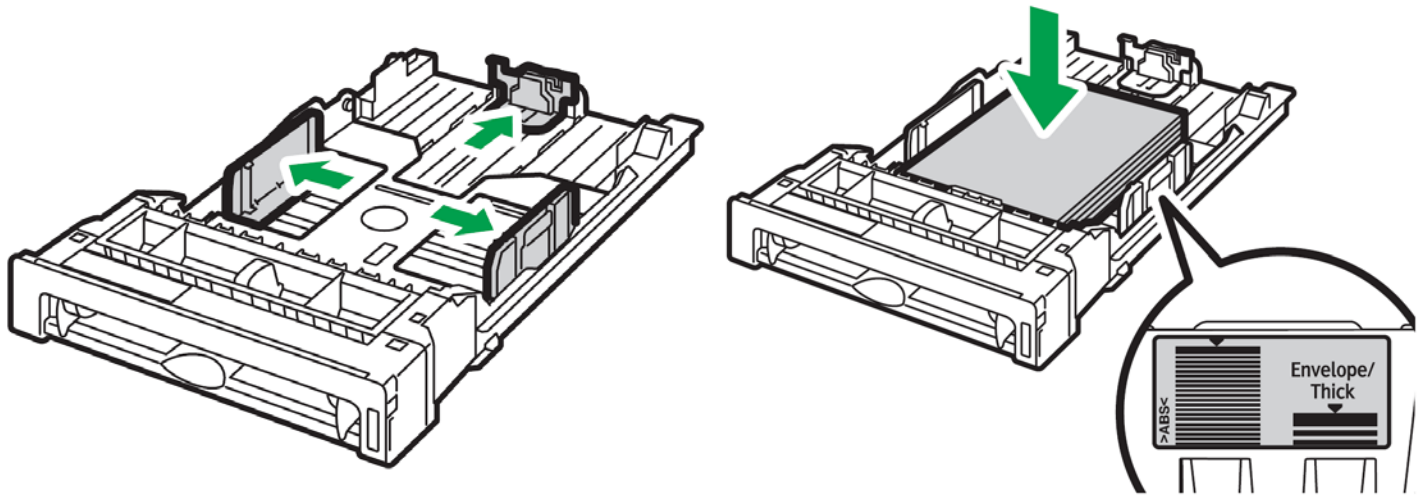


7. Reinstall the black cartridge in the front of the machine.
 - The above illustration shows how the cartridges should be installed at all times.
 - ⚠ Do not change the cartridge order in the IColor™ 350. Once installed, close the top cover.

Loading Paper

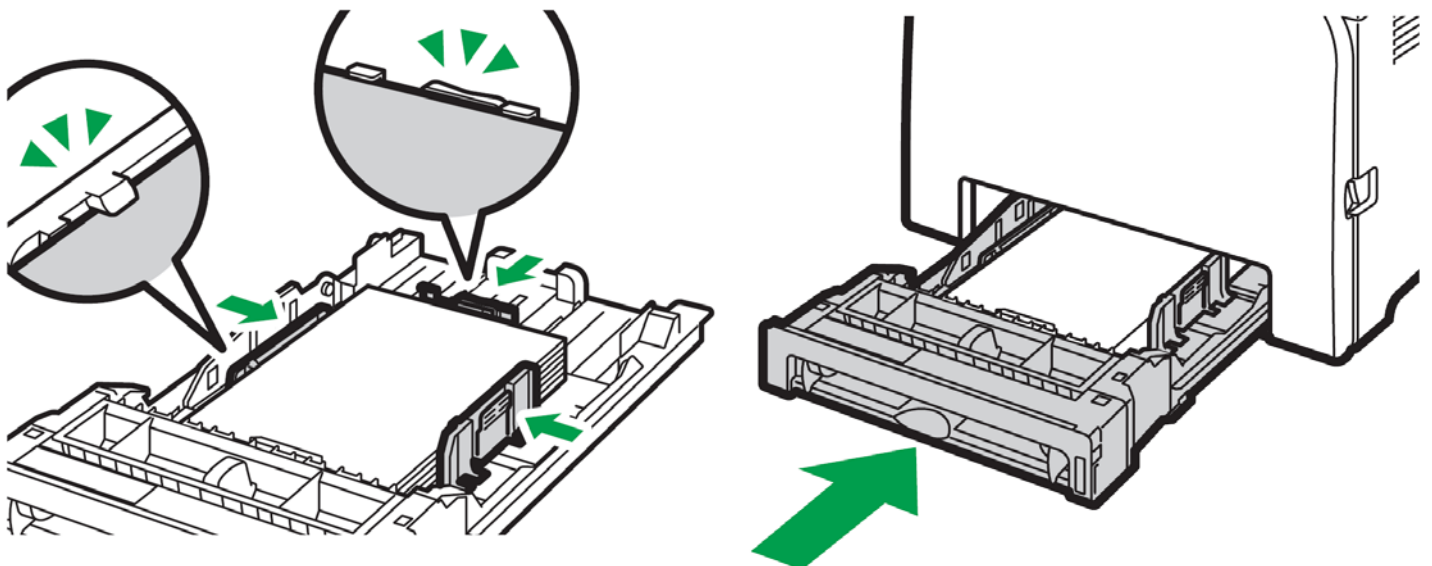


1. Pull out the paper cassette and push down the metal base.



2. Squeeze the clips on the paper guides and slide them to match paper size.

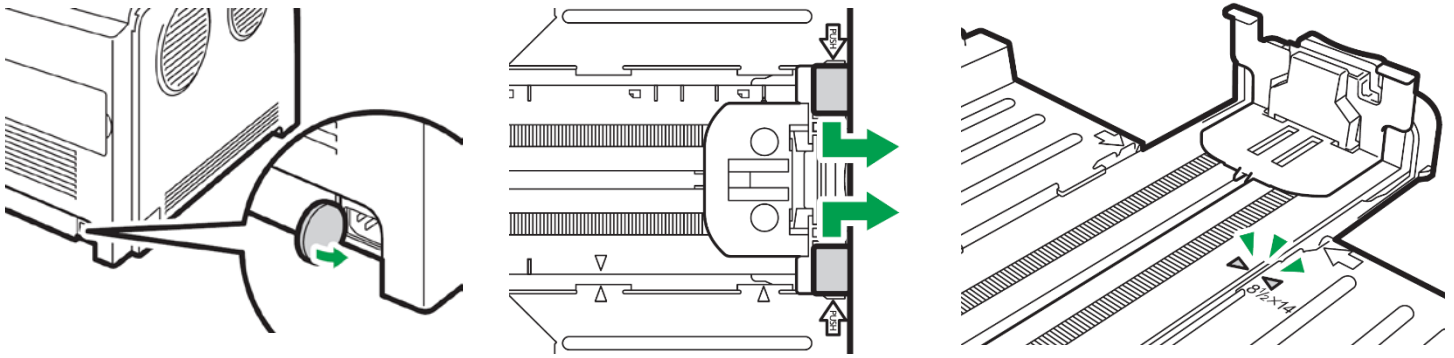
⚠ Do not move the paper guides forcefully. Doing so may damage the tray.



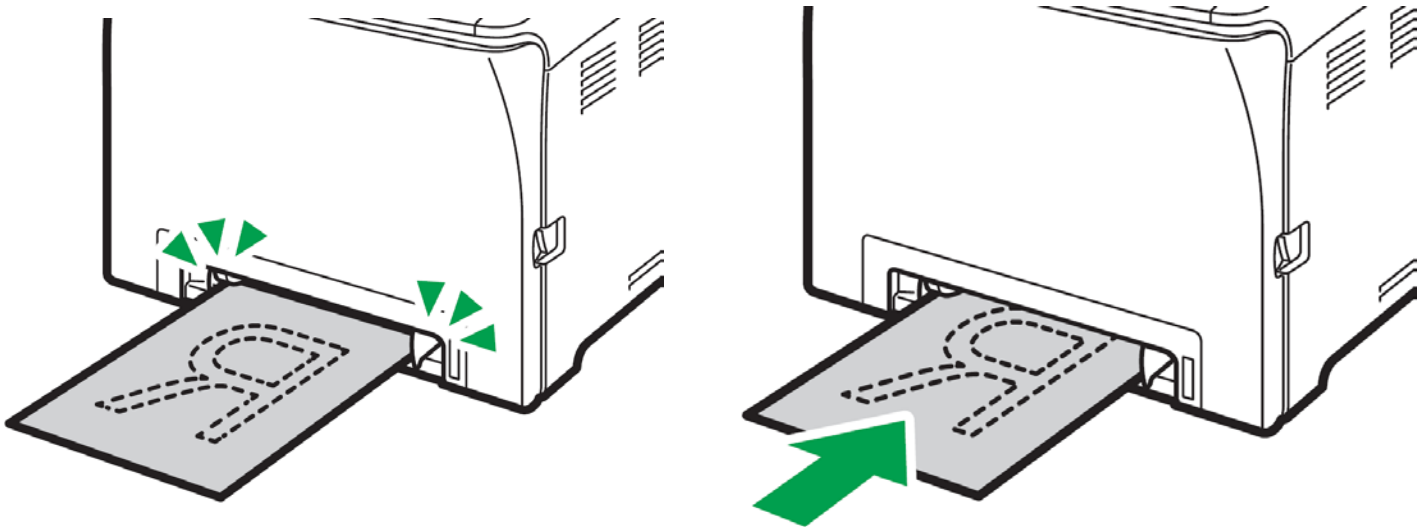
3. Load media with the print side face up and ensure it locks in underneath the guides before closing the cassette.

- Ensure the paper stack does not exceed the upper limit mark inside the paper tray.
- To avoid paper jams, make sure the tray is securely inserted and the media is not excessively stacked.

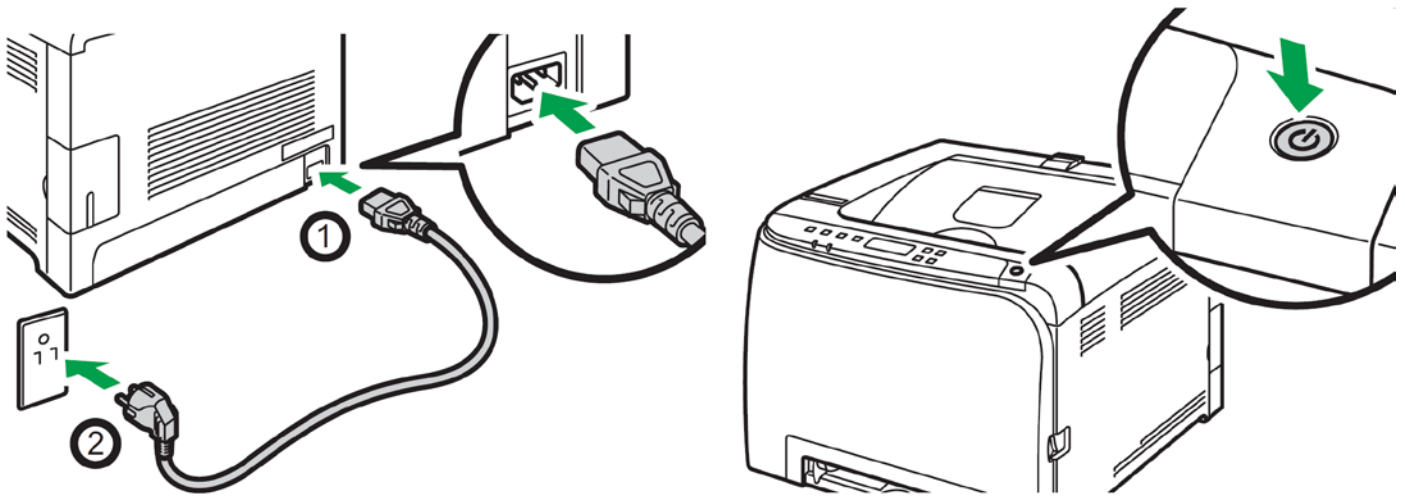
⚠ Do not use transfer paper intended for white toner printers in this printer as it could cause a jam. Use only copy paper.



4. When loading paper longer than 11" into tray 1, remove the lower rear cover using a coin.
 - Push the metal plate down until it clicks.
 - Pinch the extender in the "PUSH" direction, and then pull out the extender until it clicks to accommodate lengths up to 14" long.
 - After extension, check that the arrows on the extender and tray are aligned.
 - ⚠ Do not extend this tray when loading A4 or letter size paper. Otherwise, a paper jam may occur.

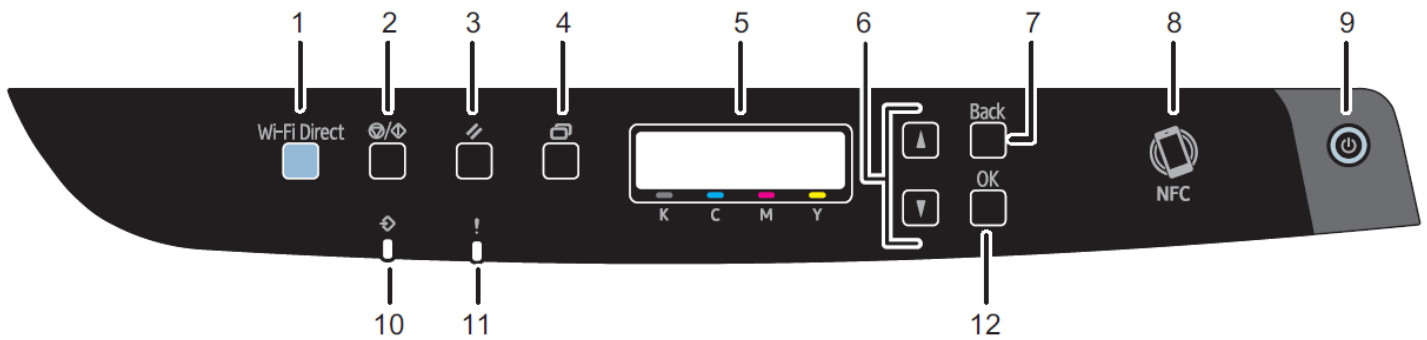


5. To use the bypass tray, load paper with the print side down and in the short-edge feed direction.
 - Insert the top edge of the paper into the machine.
 - Adjust the paper guides to the paper size. Support the paper with both hands, and insert it carefully until it stops.



6. Insert power cord and power on the unit. If connecting via USB, do not plug in the USB cable until instructed to do so by the software.


Control Panel Layout



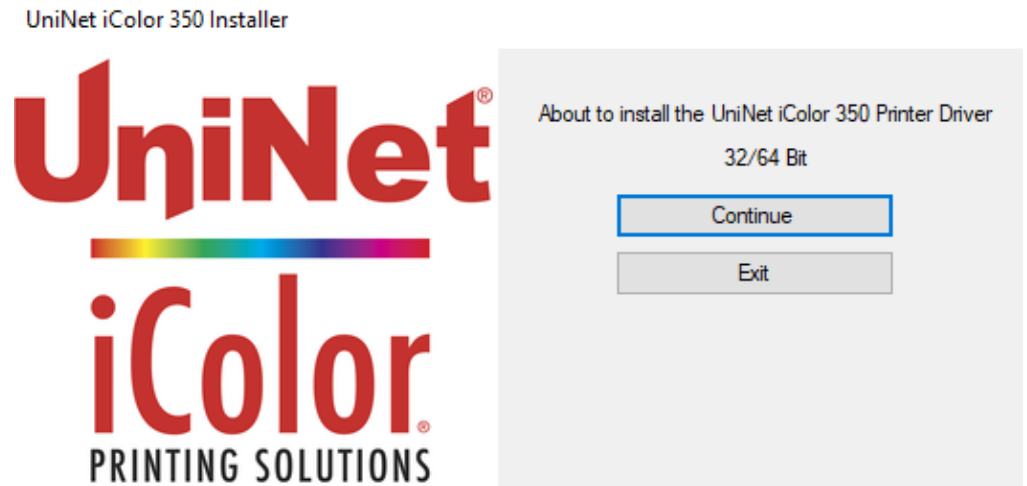
1	[Wi-Fi Direct] key	7	[Back] key
2	[Stop/Start] key	8	NFC tag
3	[Job Reset] key	9	[Power] key
4	[Menu] key	10	Data In Indicator
5	Display	11	Alert Indicator
6	Scroll Keys	12	[OK] key

IColor™ 350 Driver Installation Instructions

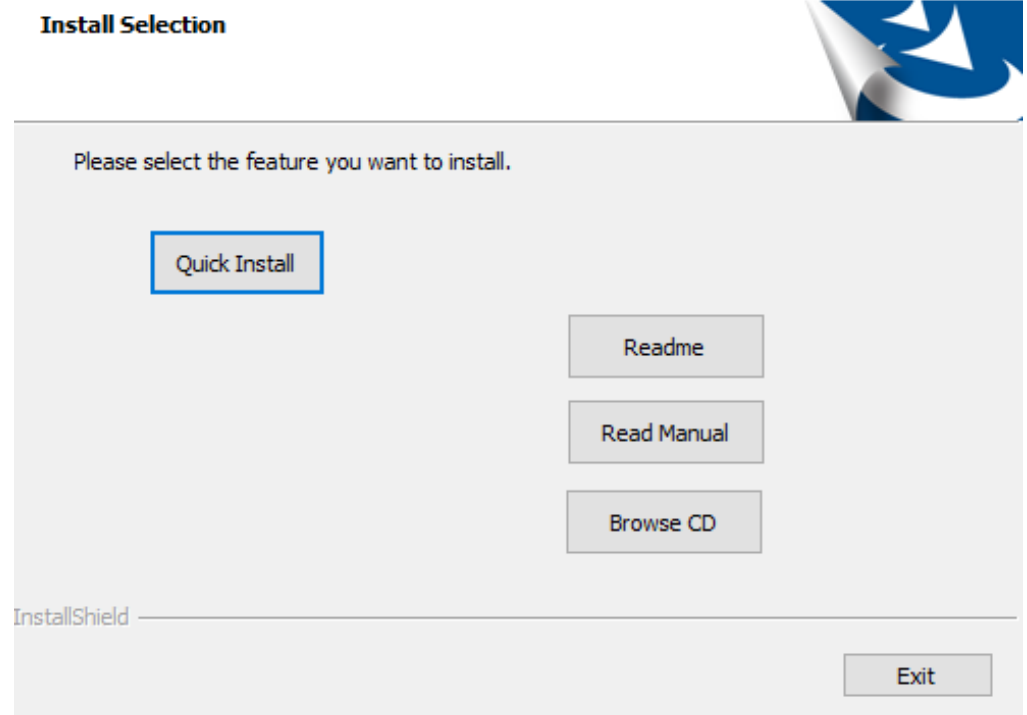
(Windows Only)

1. Locate the installation file 'UniNet_iColor350.exe' on the USB drive that was shipped with your printer and double click to launch the setup program (Compatible with Windows 7 / 8 / 10 only).
 You must have Administrator privileges on the computer to proceed. If you encounter a warning that the driver is potentially unsafe, ignore and proceed.

2. Click 'Continue' to install the IColor™ 350 driver.



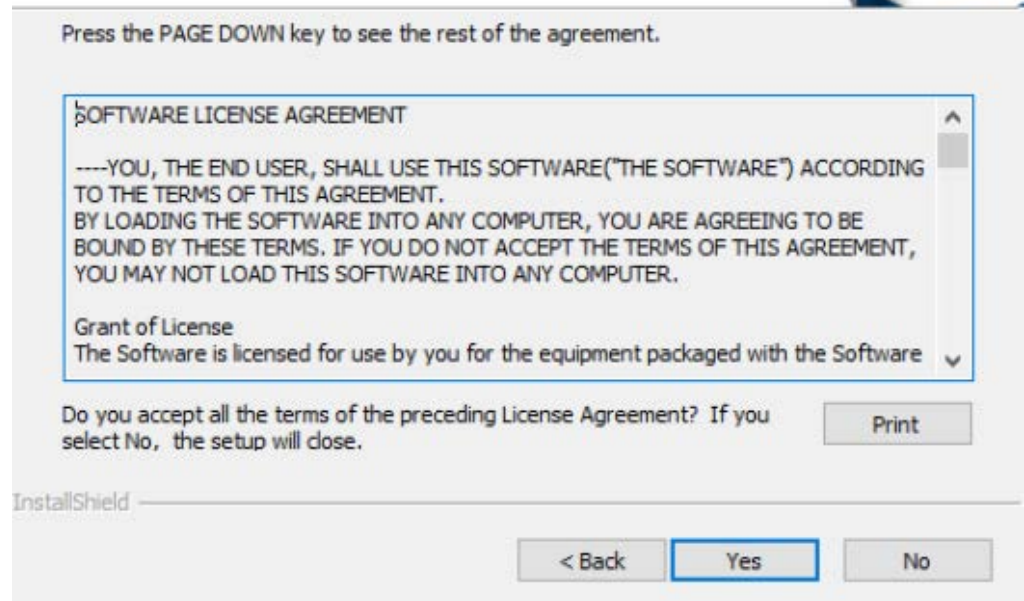
3. Click 'Quick Install' to continue the installation.



Software License Agreement



4. Agree to the End User License agreement and click 'Next'.

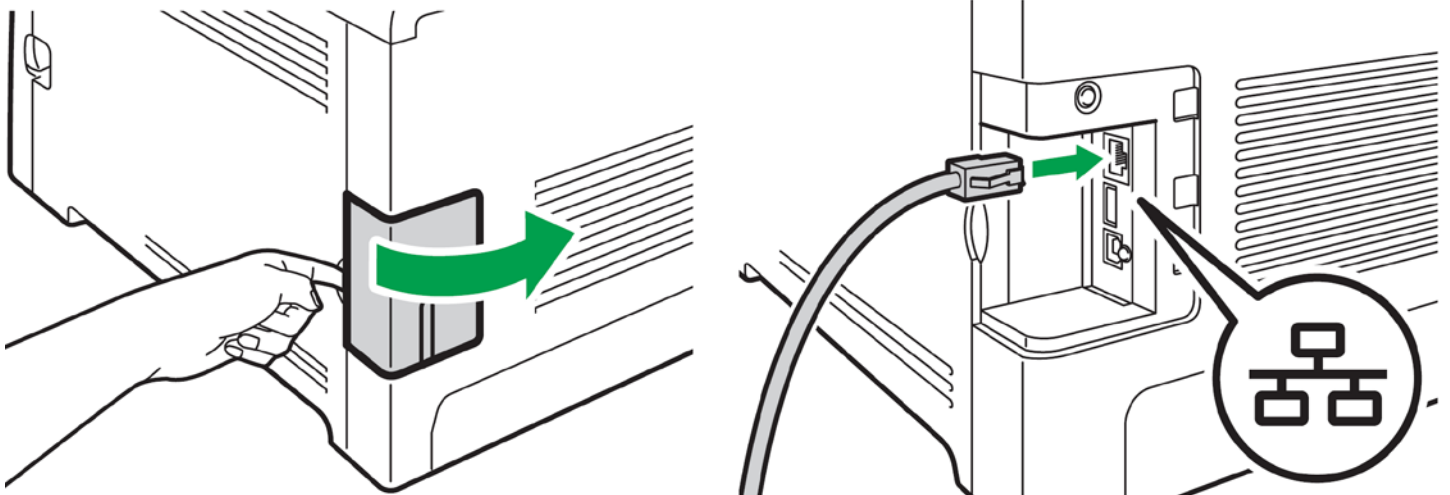


- ⚠ Some versions of Windows will require the .NET Framework 3.5 patch before the installation can proceed.
- ⚠ If it does not install automatically, you can manually update the Windows Registry to allow for the patch to be installed, which will allow the driver installation to continue.
- ⚠ **UniNet is not responsible for issues resulting from improper alteration of the Windows Registry.**

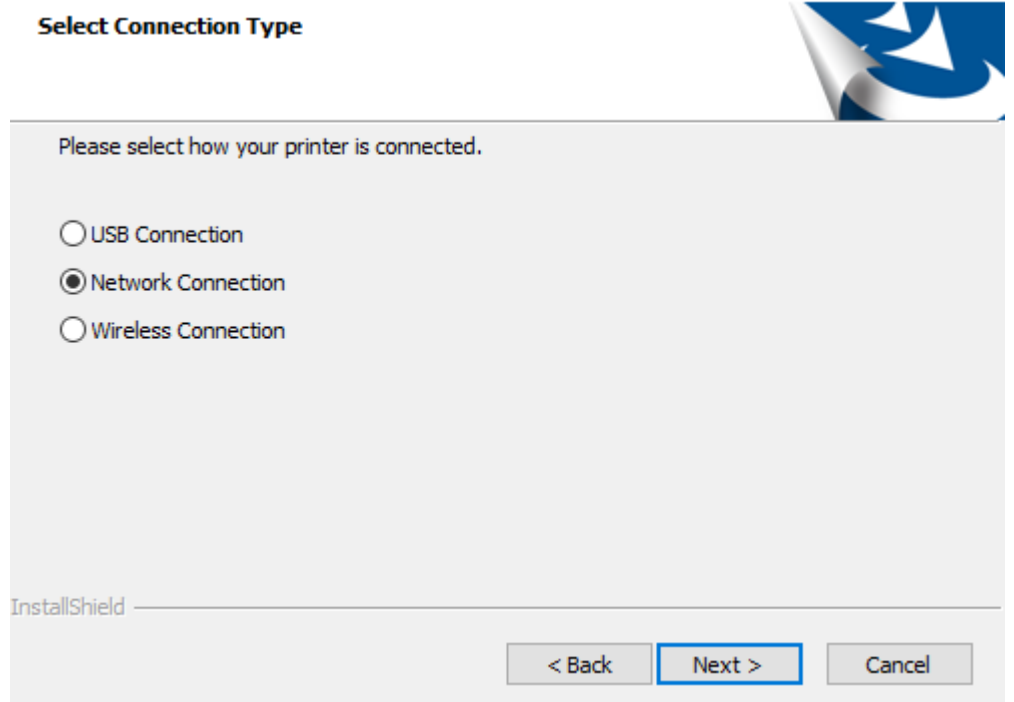
- 1) At the command prompt, type 'regedit'
- 2) Go to: HKEY_LOCAL_MACHINE\SOFTWARE\Policies\Microsoft\Windows\WindowsUpdate\AU
- 3) Set "UseWUServer" to 0 (Right click and select modify)
- 4) Restart computer
- 5) Install .NET Framework 3.5 which can be on the Microsoft website here: <https://www.microsoft.com/en-us/download/details.aspx?id=21>
- 6) Once installed, go back to: HKEY_LOCAL_MACHINE\SOFTWARE\Policies\Microsoft\Windows\WindowsUpdate\AU and set "UseWUServer" back to 1
- 7) Restart computer again and begin the IColor™ 350 installation again

Network Setup:

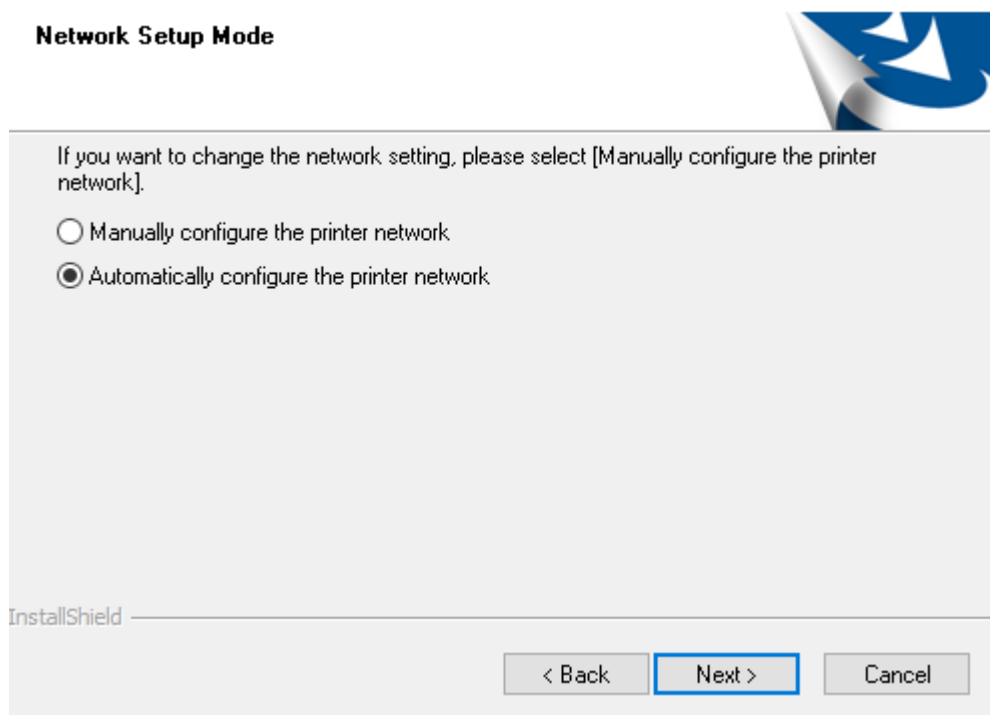
- 1) For wired network connectivity, connect the printer to your network via CAT 5 cable and power on the printer.
 - For wireless connectivity, first follow the setup instructions on pages 17 - 20, then proceed.
 - Your network will automatically assign an IP address to the printer, but it is suggested that you program a static IP address to the printer to avoid possible reassignment of the IP address should the machine be powered off (see page 26 for instructions).



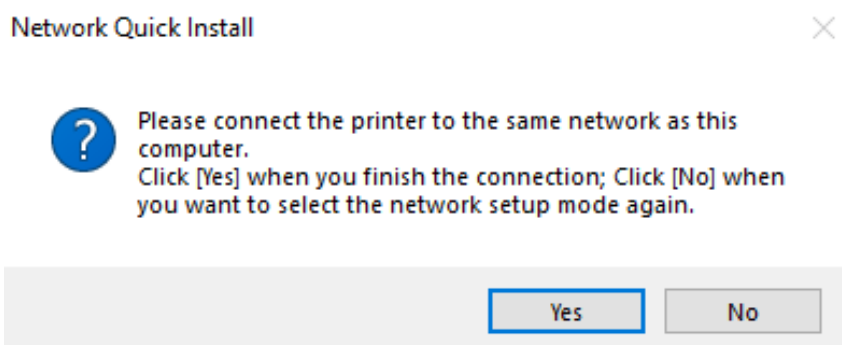
- 2) Select 'Network Connection' or 'Wireless Connection' depending on how your printer is set up and click 'Next'.



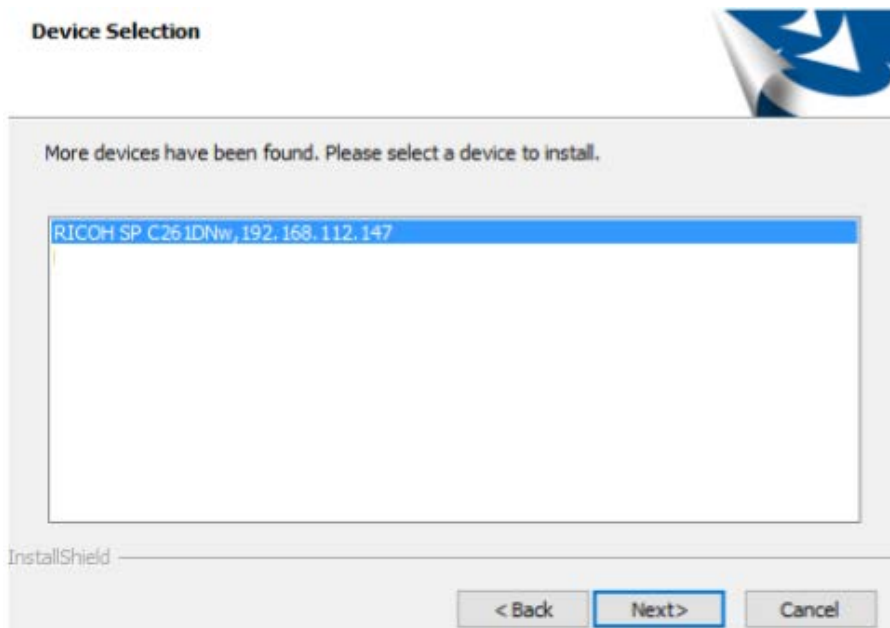
- 3) Select 'Automatically configure the printer network' and click 'Next'.



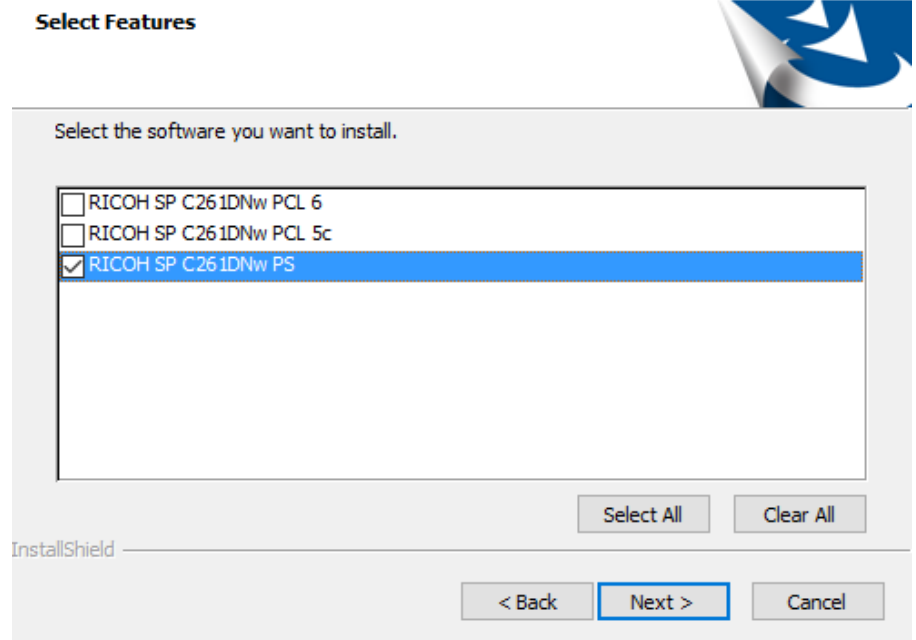
- 4) If not already done, ensure your printer is on the same network as your PC. Click 'Yes'.



- 5) The software will detect the printer on your network. Click on the printer and click 'Next'. The driver will now install.

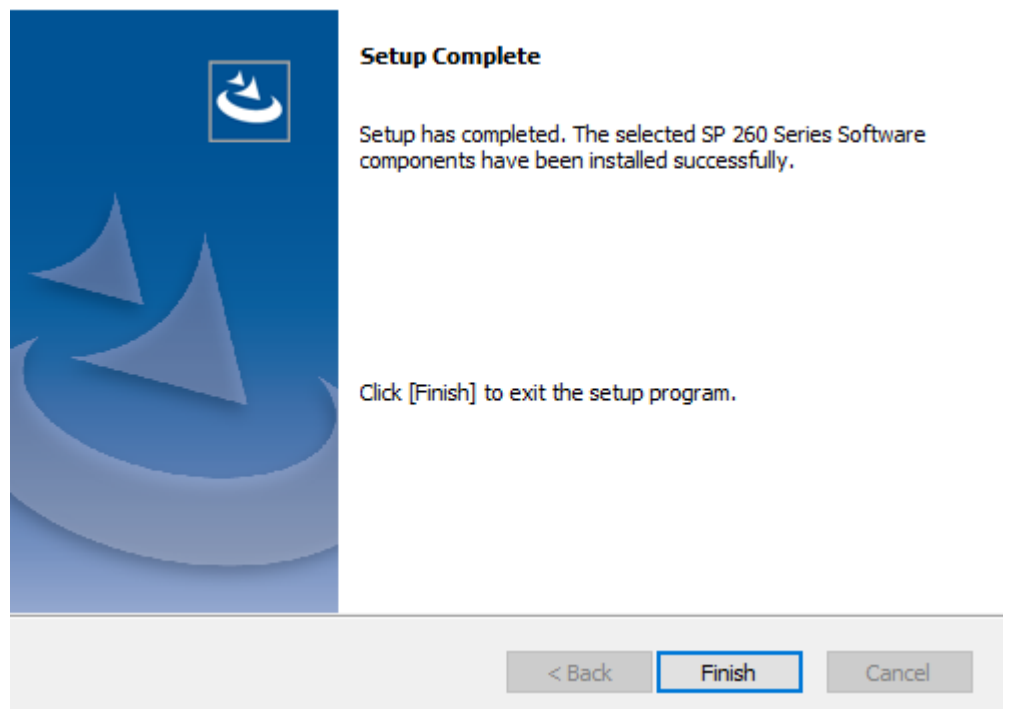


- 6) Select 'RICOH SP C261DNw PS' **ONLY**. Click 'Next'.

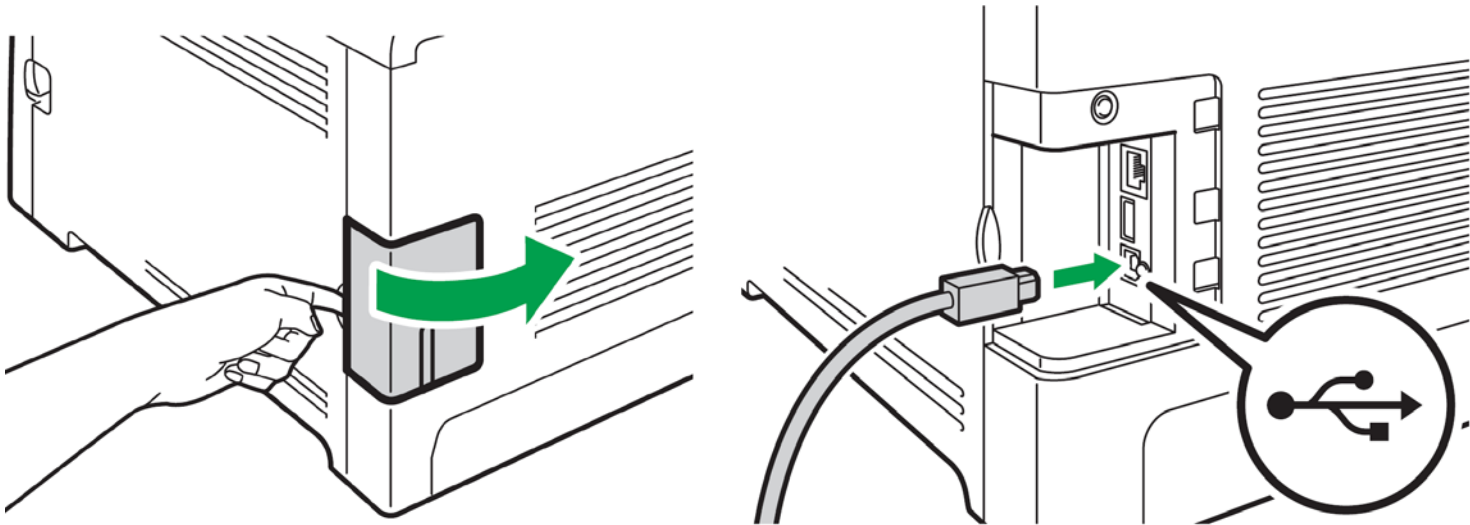


- 7) Click 'Finish' to complete the installation. If prompted to restart your PC, click No.

⚠ Do not restart.



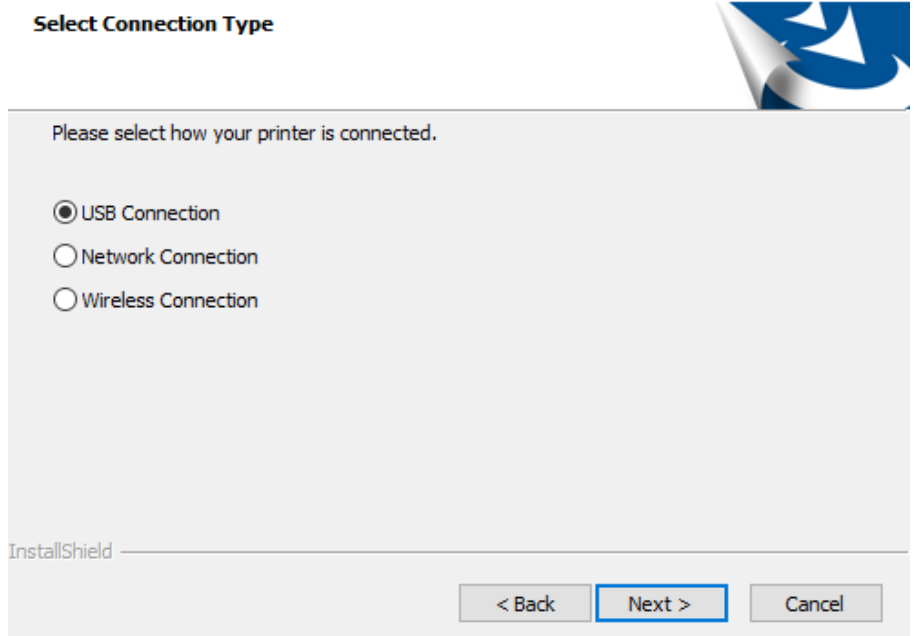
USB Setup:



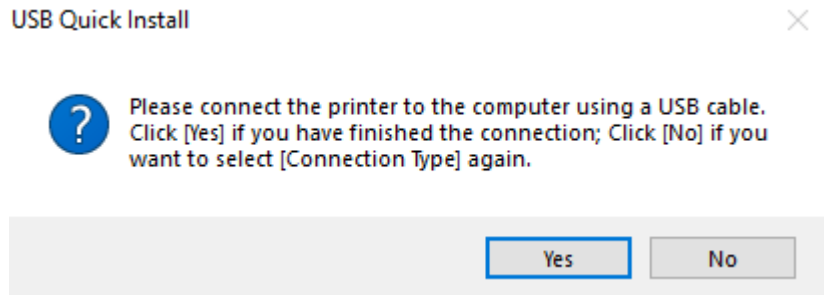
1) Connect the USB cable to the printer and power on the printer.

 Do not connect to your PC yet.

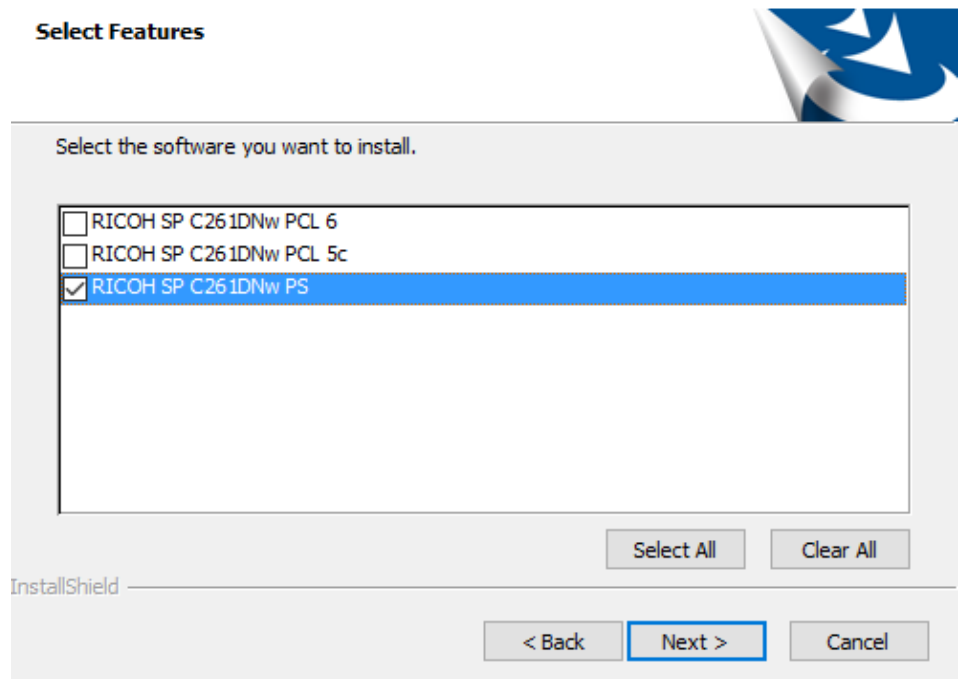
2) Select 'USB Connection' and click 'Next'.




- 3) Now, connect the USB cable to your PC and wait 30 seconds.

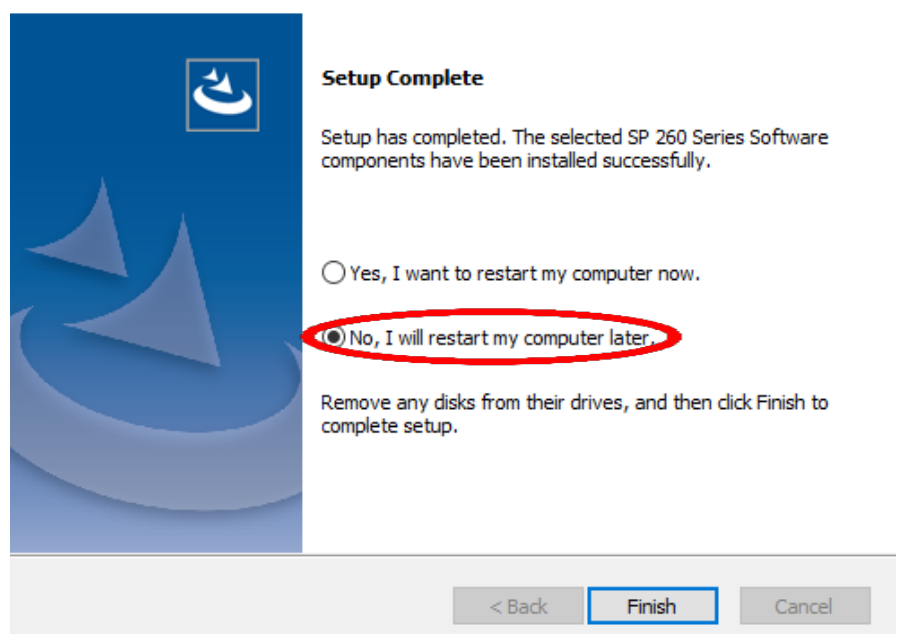


- 4) Select 'RICOH SP C261DNw PS' ONLY. Click 'Next'.



- 5) Click 'Finish' to complete the installation. If prompted to restart your PC, click No.

 **Do not restart.**



Wireless Setup:

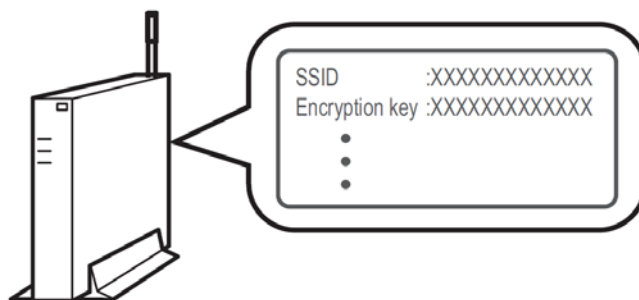
Easy Setup Using the Wi-Fi Setup Wizard

- From the control panel of this printer, you can also configure the wireless LAN settings for the machine.
- A router (access point) is necessary to set up a wireless connection.
- The SSID and Encryption key for the router (access point) may be printed on a label affixed to the router (access point). For details about the SSID and Encryption key, refer to the router (access point) manual.

Confirm the SSID and Encryption key, and write them down on the blank space as shown below.

SSID: _____

Encryption key: _____




Configuring Settings Using the Printer Control Panel

⚠ Make sure the Ethernet cable is not connected to the machine.

1. Check that the router (access point) is working correctly.
2. Press the [Menu] key.
3. Using the up/down keys, select [Host Interface], and then press the [OK] key.



4. Using the up/down keys, select [Network Setting], and then press the [OK] key.
5. Using the up/down keys, select [Wi-Fi Config.], and then press the [OK] key.
6. Using the up/down keys, select [Wi-Fi], and then press the [OK] key.
7. Using the up/down keys, select [Active], and then press the [OK] key.
8. Press the [Menu] key to return to the Initial screen.
9. Turn off the printer, and then turn it back on.
10. Press the [Menu] key.
11. Using the up/down keys, select [Host Interface], and then press the [OK] key.
12. Using the up/down keys, select [Network Setting], and then press the [OK] key.
13. Using the up/down keys, select [Wi-Fi Config.], and then press the [OK] key.
14. Using the up/down keys, select [Setup Wizard], and then press the [OK] key.
15. Using the up/down keys, select SSID of the router (access point) from the searched SSID list, and then press the [OK] key.
16. Using the up/down keys, select the authentication method, and then press the [OK] key.

 The next steps differ depending on the authentication method that you have selected. Proceed to Step 17 of either section A or B.

Section A - Connecting to devices using the WPA2-PSK or Mix Mode WPA2/WPA authentication

17. Enter the encryption key (Passphrase) using the up/down keys, and then press the [OK] key.
 - As the passphrase, you can enter either 8 to 63 ASCII characters (0x20-0x7e) or 64 hexadecimal digits (0-9, A-F, a-f).
 - To go to the next characters, press the [OK] key.
 - Press the [Escape] key to clear all characters.
18. Display will read 'Connect?: Yes/No'. Press the [OK] key. After connecting to the network, the Wi-Fi screen is displayed.
19. Using the up/down keys, select [Wi-Fi Status], and then press the [OK] key.
 - When "Connected" is displayed, the connection has been established.
 - If "Disconnected" is displayed, the connection has not been established. Start again from the beginning.

Section B - Connecting to the devices using the Open System or Shared Key authentication

17. Using the up/down keys, select the encryption method, and then press the [OK] key.
 - The maximum number of characters that can be entered in the encryption key field depends on the encryption method settings.
 - Do not select [None] except in special circumstances. If selected, the security system will not work.
18. Enter the encryption key using the up/down keys, and then press the [OK] key.
 - To go to the next characters, press the [OK] key.
 - Press the [Back] key to clear all character.
19. Enter the ID using the up/down keys, and then press the [OK] key.
 - The ID is used for identifying the encryption key. You can register four encryption keys (ID 1 to 4).
20. Display will read 'Connect?: Yes/No'. Press the [OK] key.
 - After connecting to the network, the Wi-Fi screen is displayed.
21. Using the up/down keys, select [Wi-Fi Status], and then press the [OK] key.
 - When "Connected" is displayed, the connection has been established.
 - If "Disconnected" is displayed, the connection has not been established. Start again from the beginning.

Easy Setup Using the WPS Button

⚠ Make sure the Ethernet cable is not connected to the machine.

1. Check that the router (access point) is working correctly.

2. Press the [Menu] key.

3. Using the up/down keys, select [Host Interface], and then press the [OK] key.

4. Using the up/down keys, select [Network Setting], and then press the [OK] key.

5. Using the up/down keys, select [Wi-Fi Config.], and then press the [OK] key.

6. Using the up/down keys, select [Wi-Fi], and then press the [OK] key.

7. Using the up/down keys, select [Active], and then press the [OK] key.

8. Press the [Menu] key to return to the Initial screen.

9. Turn off the printer, and then turn it back on.

10. Press the [Menu] key.

11. Using the up/down keys, select [Host Interface], and then press the [OK] key.

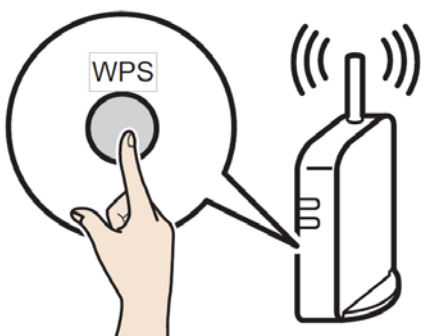
12. Using the up/down keys, select [Network Setting], and then press the [OK] key.

13. Using the up/down keys, select [Wi-Fi Config.], and then press the [OK] key.

14. Using the up/down keys, select [WPS], and then press the [OK] key.

15. Using the up/down keys, select [PBC], and then press the [OK] key. "Connecting..." appears, and the machine starts to connect in PBC method.

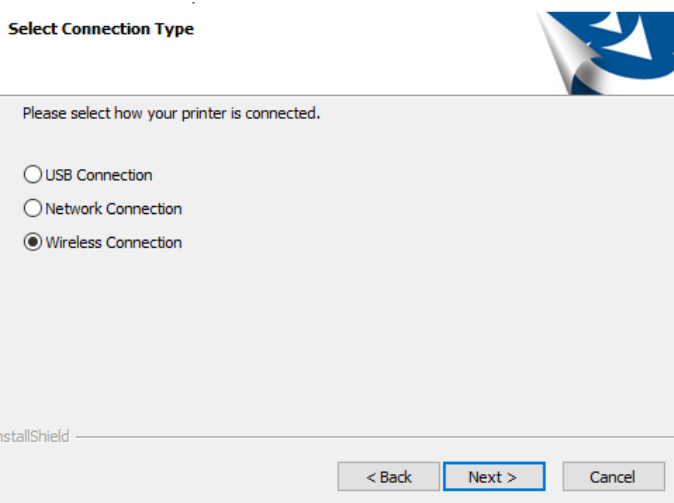
16. Press the WPS button on the router (access point) within two minutes.



17. Check the result. If connection has succeeded, press the [Menu] key to return to the initial screen. If connection has failed, Press the [Back] key to return to the screen displayed in Step 15. Check the configuration for the router (access point), then try the connection again.

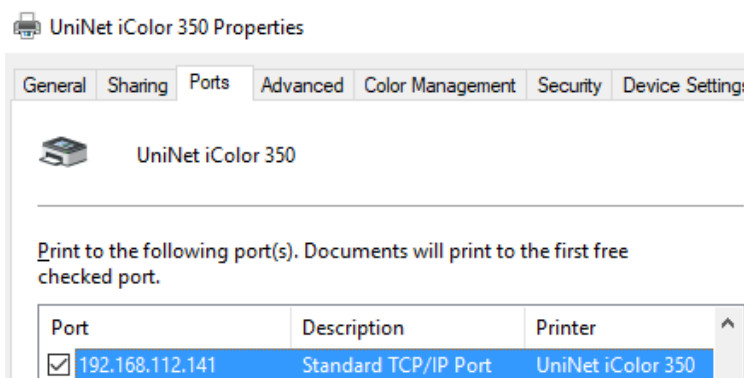
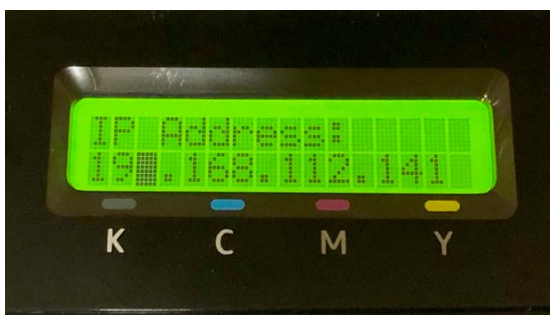
18. Configuring the Wi-Fi settings is complete.

19. Once complete, follow the steps for 'Network Setup' beginning on page 12, but choose 'Wireless Connection' as the connection type.



Setting a static IP on the IColor™ 350:

- Press the **Menu** button to the left of the LED screen.
- Using the arrow keys to the right of the LED screen, select **Network>>Host Interface>>IPv4 Config.>>IP Address**.
- Use the arrow keys to set the IP address. You can set the subnet mask and default gateway under the same menu.



Your printer will now be listed along with your other printers and devices.



UniNet iColor
350

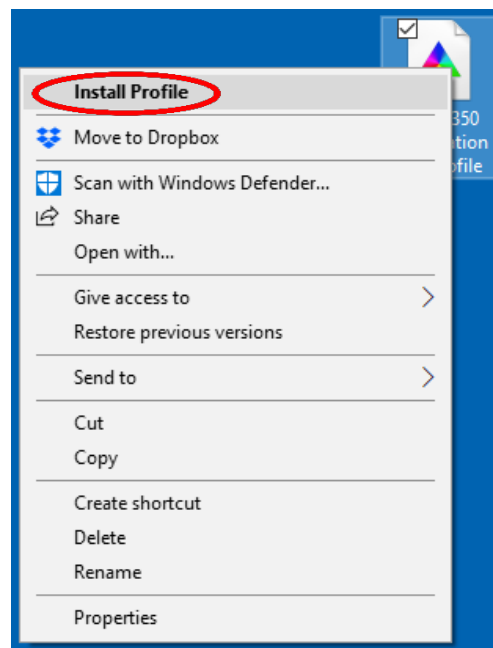
WARNINGS

- ⚠ Your IColor™ 350 printer has been preconfigured from the factory for optimal performance. UNINET strongly advises that you do **not** change any settings on the printer itself (through the control panel), unless specifically directed by a certified UNINET technician. Otherwise, poor or inconsistent results could arise.
- ⚠ Avoid setting custom administrator passwords or changing security settings on the printer control panel, as hardware changes cannot be overridden or changed by UNINET if the password is forgotten and could lead to possible irrevocable, catastrophic modifications that may result in rendering your printer inoperable. This is not covered by your warranty.

- ⚠ All print commands are dictated and transmitted solely by the print driver or the optional IColor™ ProRIP software. Any required updates or modification would occur in the software and not hardware. It is always best not make any changes to preset data (hardware or software) unless specifically directed by a certified UNINET technician.
- ⚠ To ensure trouble free operation of the print software, please uninstall any third party virus scan software before proceeding. Virus scan software often views RIP software as an invasive program and invariably deletes important files which can cause issues in the quality of the print or the overall operation of the software. Windows Defender is the only known virus scan software which does not conflict with the RIP.

Installing the IColor™ 350 Dye Sublimation ICC Profile:

1. Locate the file named 'IColor™ 350 Sublimation ICC Profile' on the flash drive that came with your printer.
2. Right-click on the file, then left click on 'Install Profile'.
3. The profile is now installed.



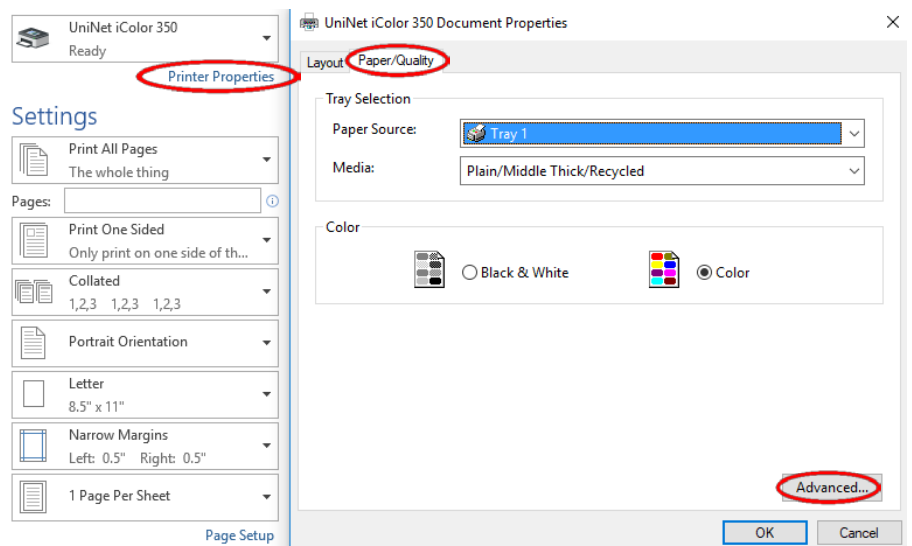
Before you print with the IColor™ 350:

1. If printing photographic type images requiring accurate colors from Photoshop, CorelDraw and other software capable of utilizing standard ICC profiles, use the provided ICC profile.
 - For photographs (especially for skintones) which require more accurate color representation, UniNet suggests the use of the provided ICC profile. Pressed images will have more accurate colors, but will not be as vibrant.
 - Color Handling should be set to allow your specific software package to handle colors. For example, in Photoshop set to 'Photoshop Manages Color'.
 - Make sure you set the print driver to 'No Color Matching' under 'Color Management' and 'High Quality' under 'Job Options'.
 - Be sure to mirror print and select the proper ICC profile before printing (if desired).
2. For vector graphics or 'cartoon-like' images, where color matching isn't as important as vibrancy, do not use the ICC profile.
 - This allows the prints to press as vividly as possible.

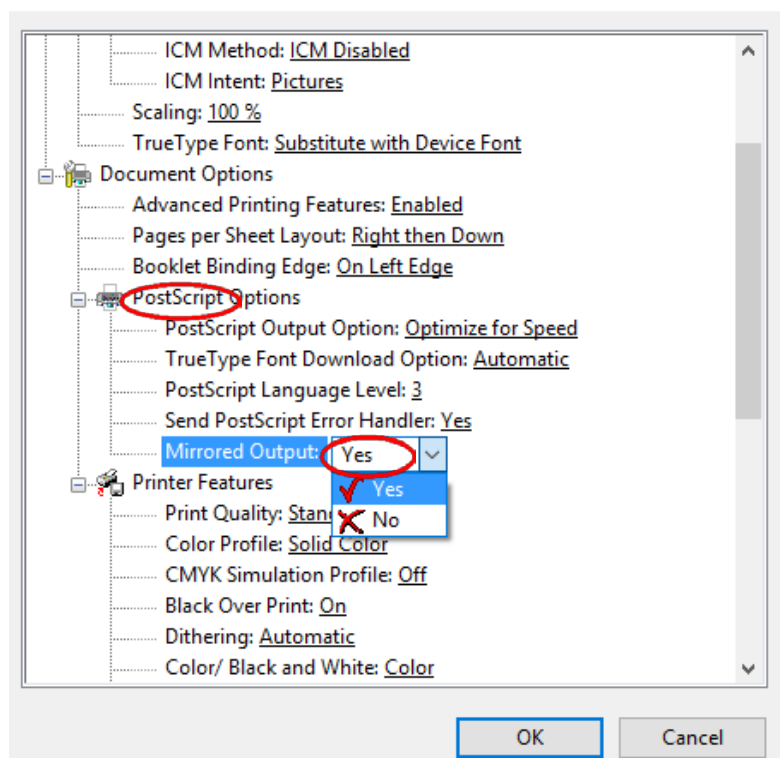
- Be sure to always mirror your image before you print.
3. When printing black as part of your image, be sure to set the color to 100% K in your design software.
- ⚠ Printing composite blacks is not recommended and will not produce rich blacks.
 - ⚠ Some file formats, such as PNG, cannot reproduce true black because they are saved as RGB images.
 - If not printing directly from your favorite graphics program, choose a file format such as PDF or TIFF to preserve a CMYK file format for best results.
 - You may also select the 'Black & White' color settings in the printer properties to force 100% K.

How to mirror print:

1. Click 'Print' from the graphics program of your choosing.
 - Click 'Printer Properties'.
 - Select the 'Paper/Quality' tab and click 'Advanced'.



2. Open the 'PostScript Options' dropdown and make sure 'Mirrored Output' is set to 'Yes'.
3. Click 'OK' to continue printing.



IColor™ ProRIP Software Installation (optional)

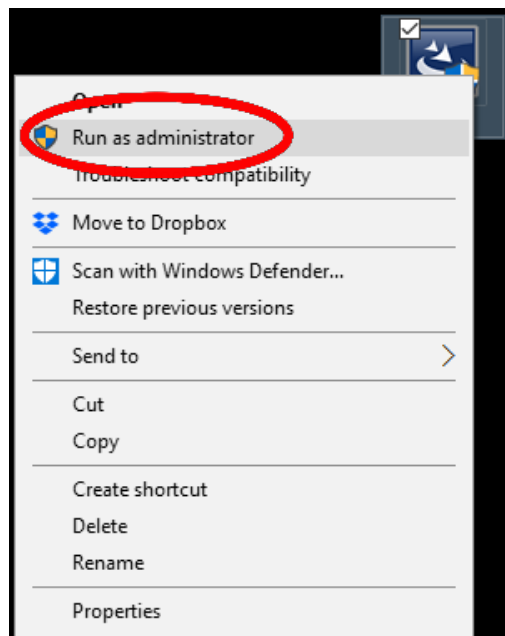
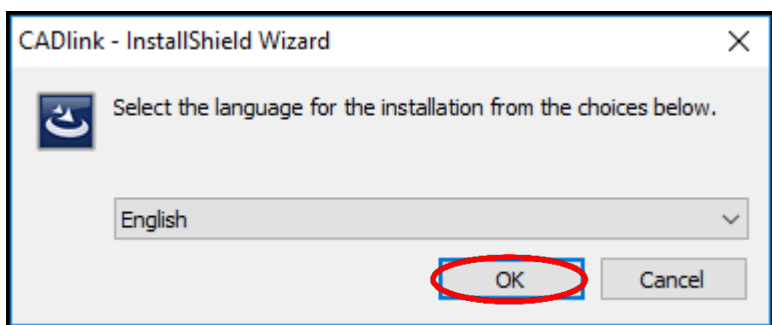
Instead of printing with driver from Windows as explained above, you may also use the IColor™ ProRIP software. The RIP is an optional piece of software and is not required. An extra purchase is needed (ask your sales representative for details).

The RIP will have all profiles and print settings preconfigured for ease of use and a pleasant user experience.

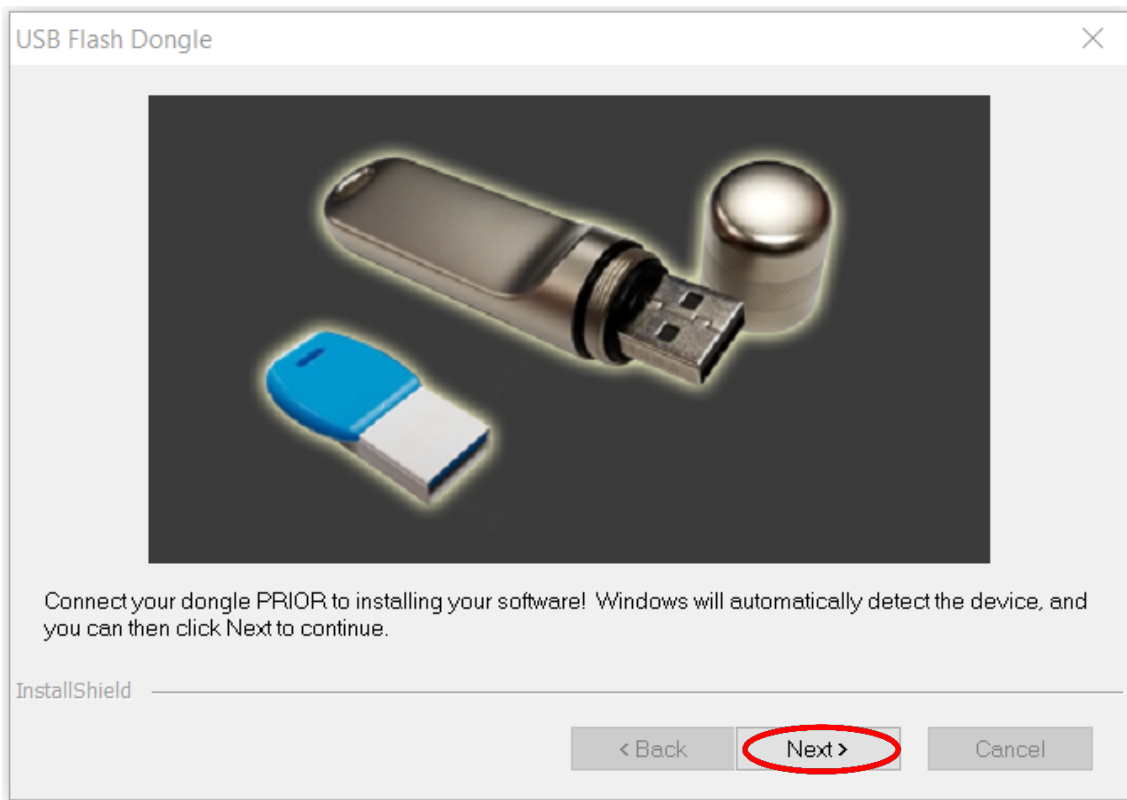
If printing from the RIP, the print driver is not required to be installed or used.

- Make sure all other programs are closed and virus software is uninstalled.
 - ⚠ Failure to uninstall virus software can lead to problems with installation and/or use of software.
 - ⚠ If you keep the virus scan software active after installation, you must add the ProRIP to the 'safe programs' list or issues with ProRIP software can result. Windows Defender is the only program which, to date, has not affected the functionality of the ProRIP.
- Plug in the included dongle into a free USB port on your PC. This dongle contains all of the software, manuals and documents for your printer and software and also serves as your license key.
- Navigate to the RIP setup folder on the dongle and right click the setup file and select 'Run as Administrator'.
- Run the Installation and follow the steps pictured below.
- NOTE: It is suggested to copy all of the installation files located on the USB drive to a folder on your computer for safe keeping and ease of installation.
- **The IColor™ ProRIP dongle must be inserted at all times when installing or running the program.**

- 1) Navigate to the RIP setup folder on the ProRIP dongle or on your PC if you've copied these files. Right click on the setup application file and 'Run as administrator'.
- 2) Select the language for installation and click 'OK'.

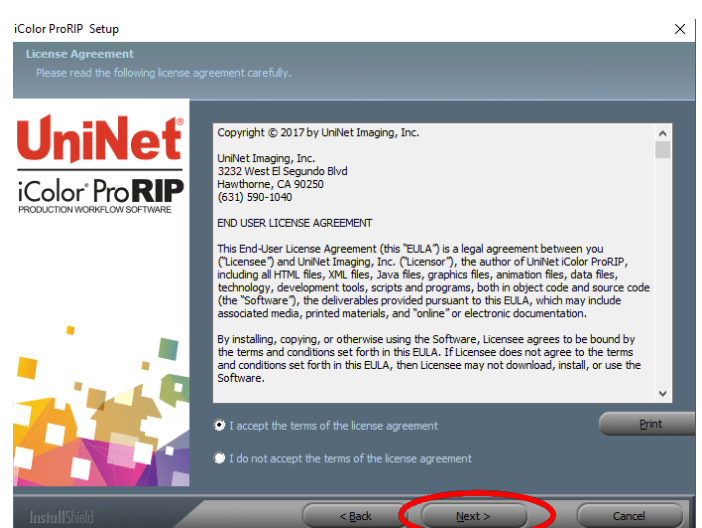
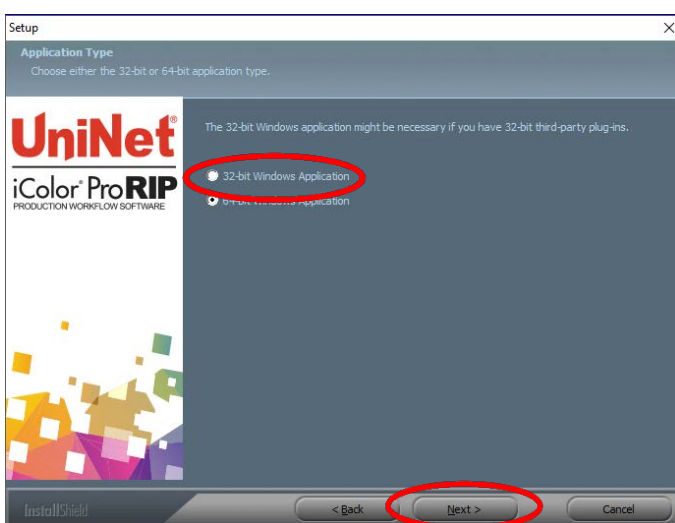


- 3) You will be prompted to insert the USB dongle before proceeding with the installation. If already inserted, click 'Next'. (There is only one dongle shipped with your system, and can look different than the types represented below).

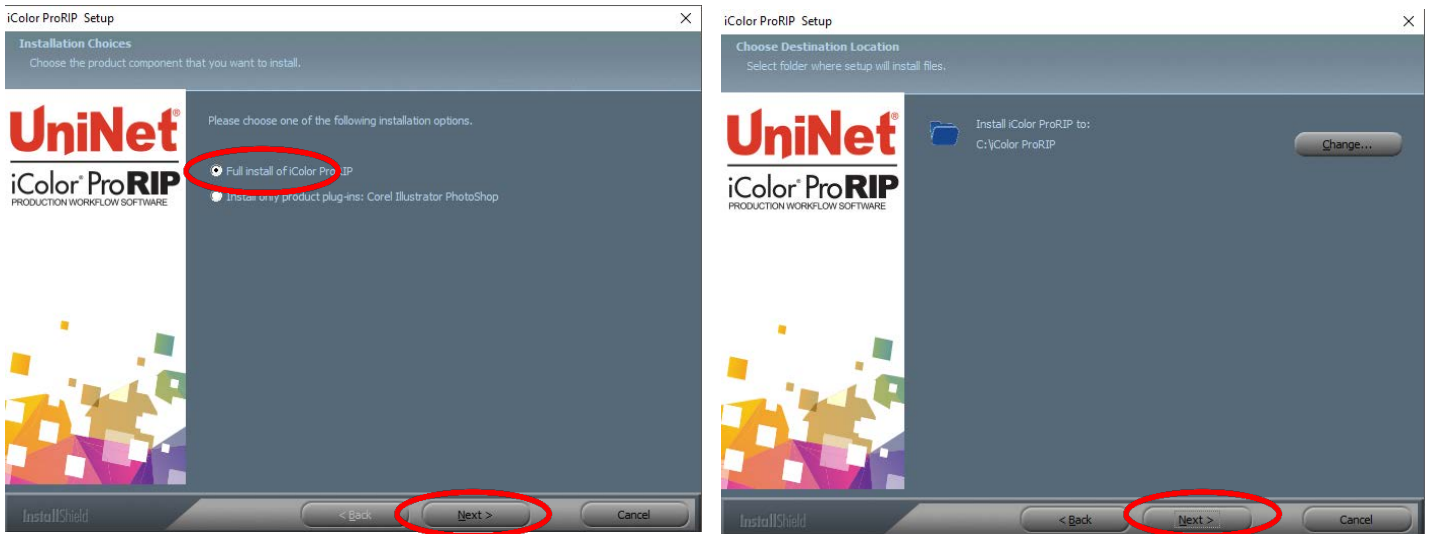


IMPORTANT: This USB dongle is your license key. Ensure that it is not lost or broken, as UNINET cannot replace it without a charge. You cannot use the software without it installed in your PC.

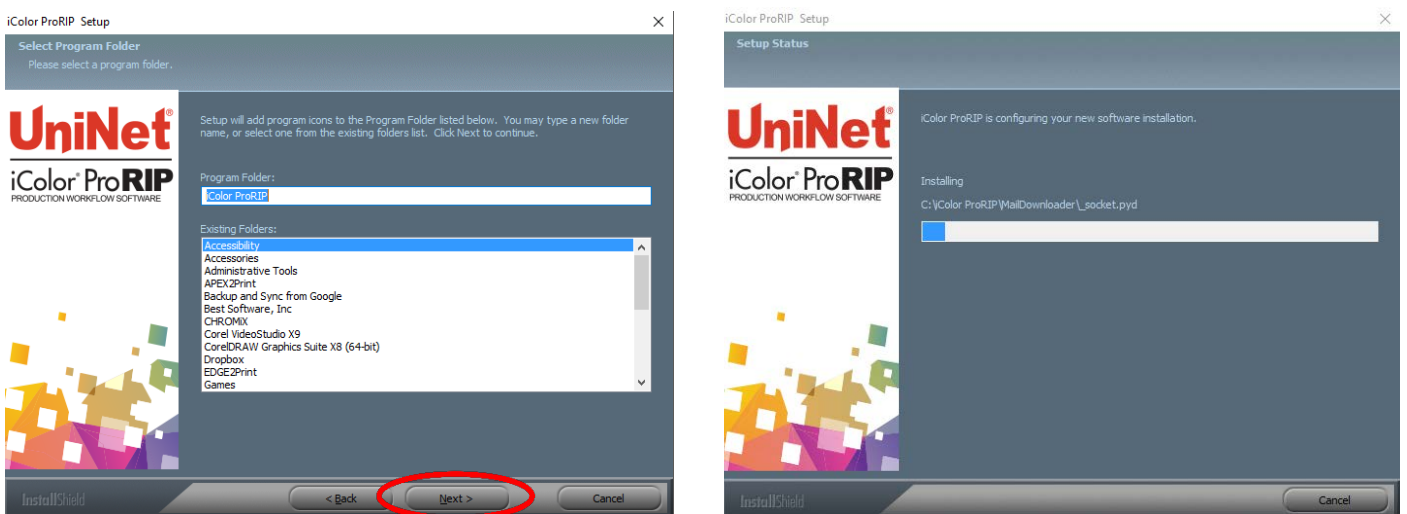
- 4) Select either the 32 or 64 bit application (dependent upon your version of windows). Accept the terms of the license agreement and click 'Next'.



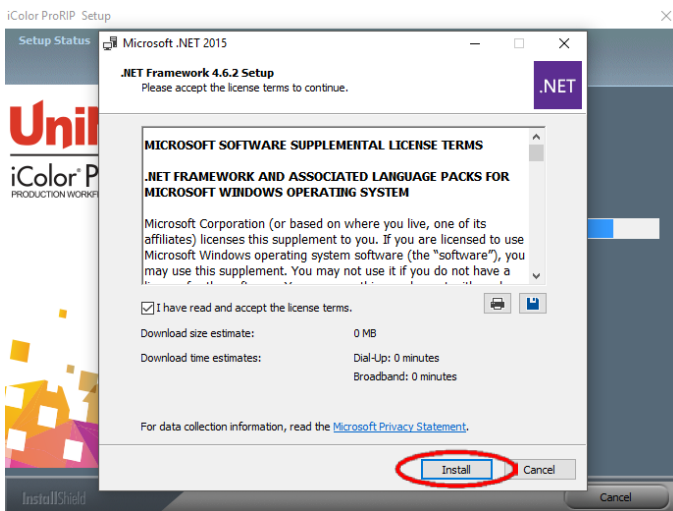
5) Choose 'Full install of IColor™ ProRIP' and click 'Next'. Click 'Next' again to accept the installation folder.



6) Click 'Next' to allow the creating of the IColor™ ProRIP Program Folder and the installation will begin.

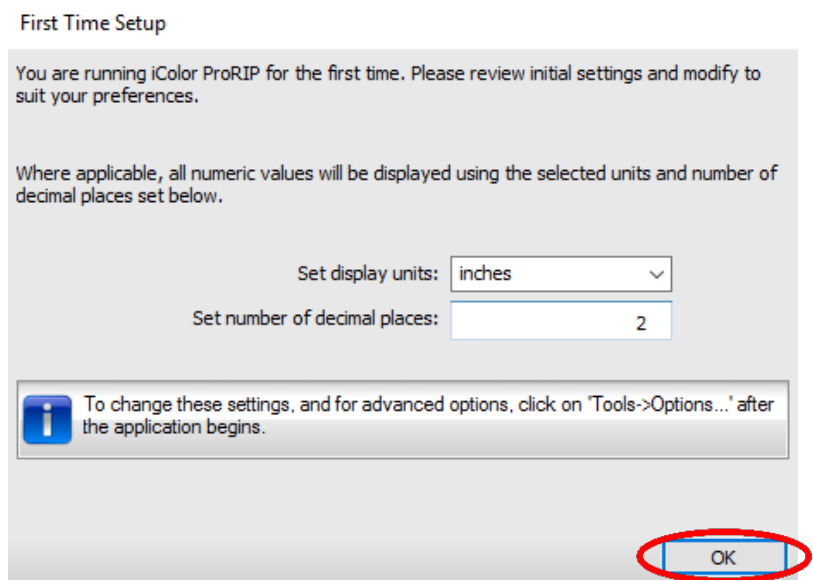
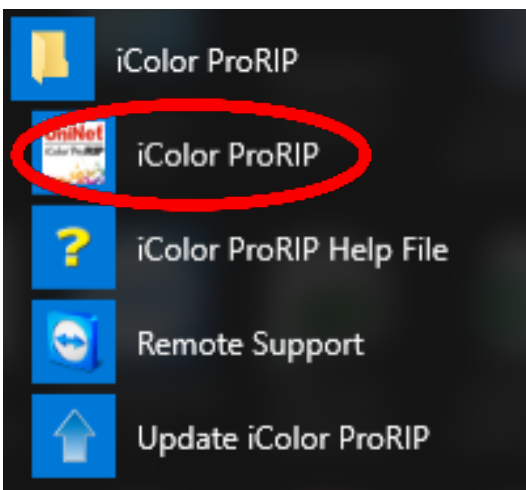


- 7) If not already installed, you will be prompted to install .NET Framework, which is a necessary component to the ProRIP software. Accept the license terms and click 'Install'. Once the InstallShield Wizard is complete, click 'Finish'. This installation normally takes several minutes to complete.

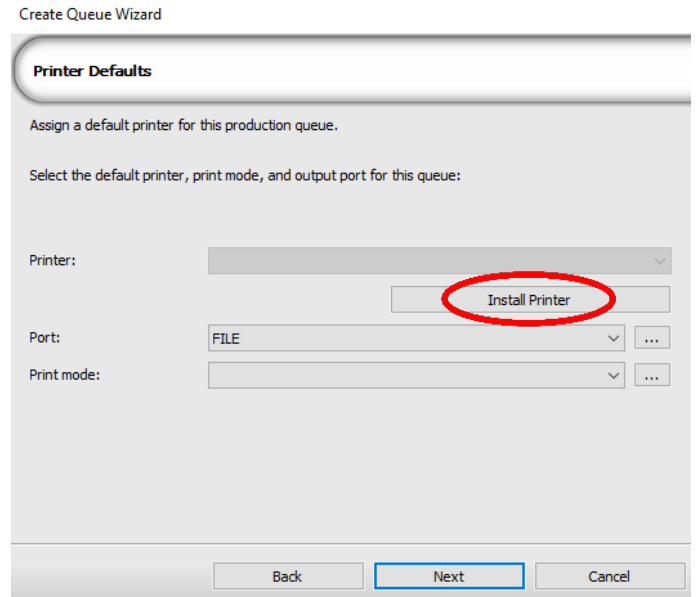
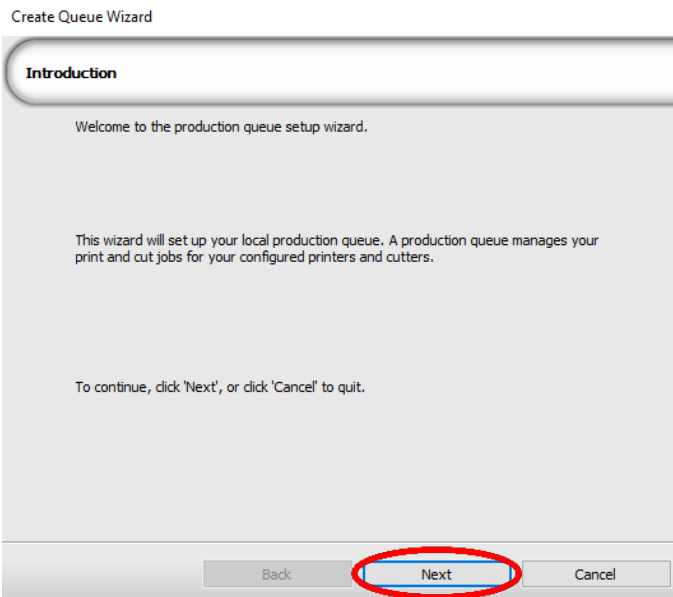


iColor ProRIP First Time Setup

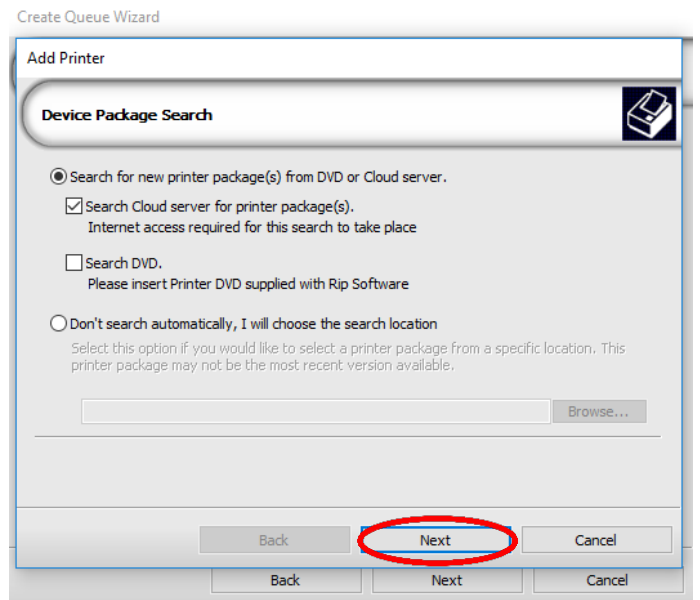
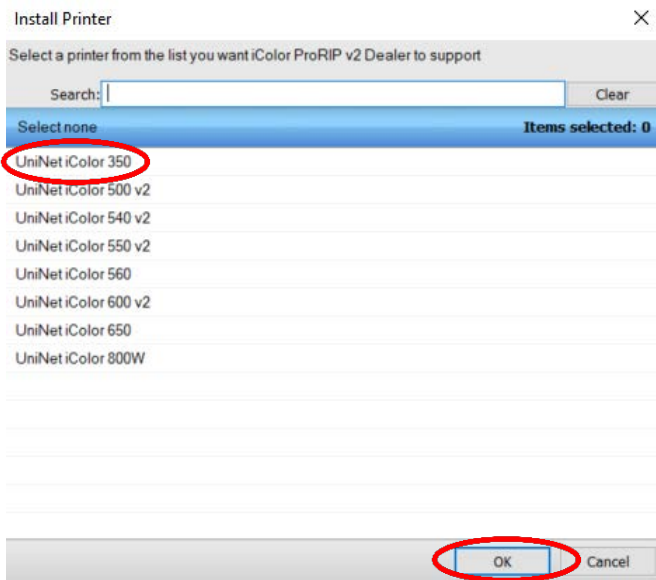
- 1) Be sure the iColor™ ProRIP dongle is installed and you are connected to the internet. From the Windows Start menu, choose **All Programs >> iColor™ ProRIP** or double click on the desktop icon that was created upon installation. Launch the program. Create a shortcut if desired for quicker access later. Confirm first time setup by setting your preferred unit of measure and decimal places. This can be changed later under **Tools >> Options**.



- 2) Once the ProRIP opens, the Queue Wizard will begin the installation of the support files for your IColor™ printer. Click 'Next' and then 'Install Printer'.



- 3) Select the appropriate printer from the support menu (in this case, we will choose the IColor™ 350). Click 'OK'. Then click 'Next' to continue the installation. Note that you may have already installed the printer driver in windows. This installation is for RIP functionality only.



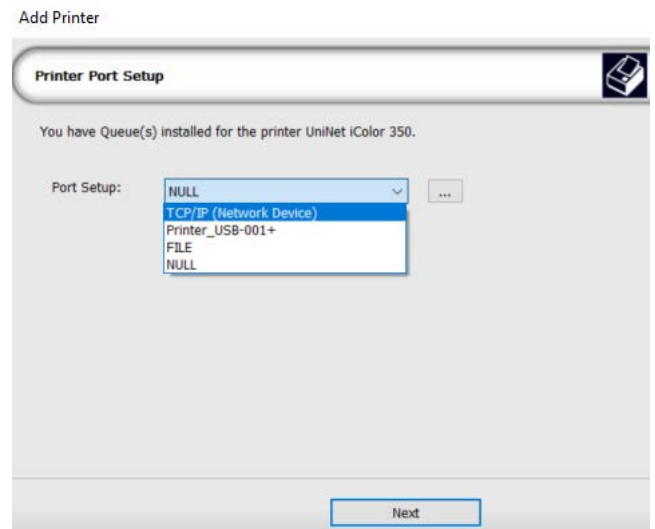
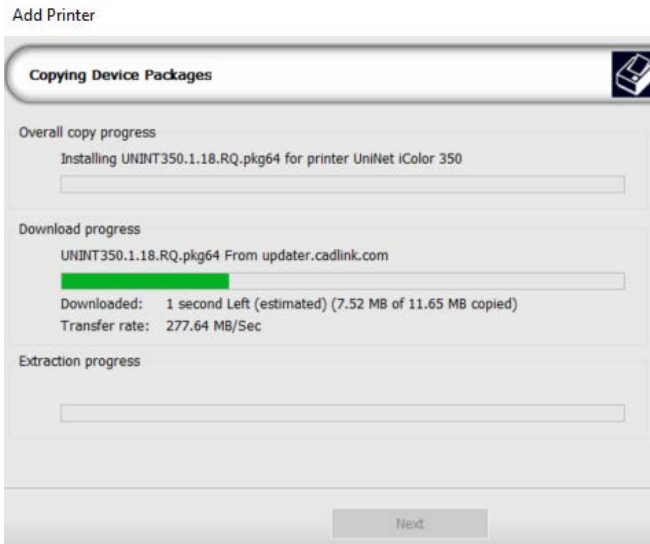
4) Click the 'Port Setup' dropdown and select how your printer is connect (Network or USB).

⚠️ You must complete this step or you will not be able to print.

5) If connected via network (recommended), choose TCP/IP. If connected by USB, choose the printer as identified in the drop down.

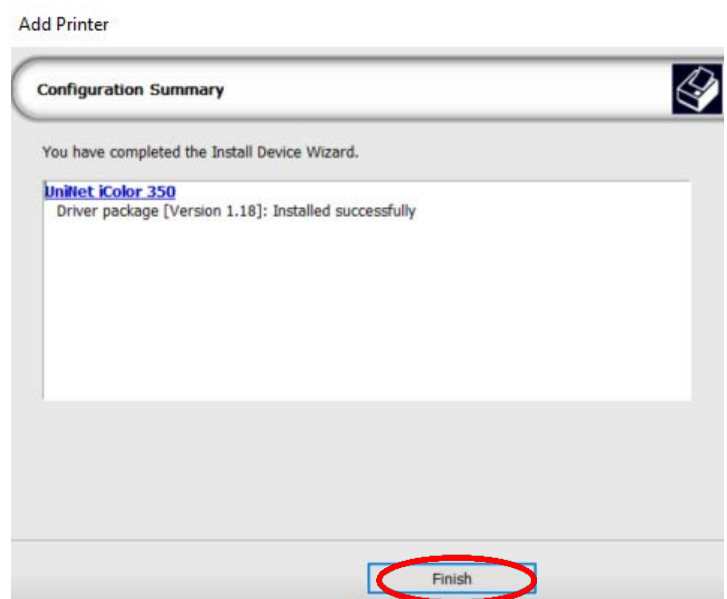
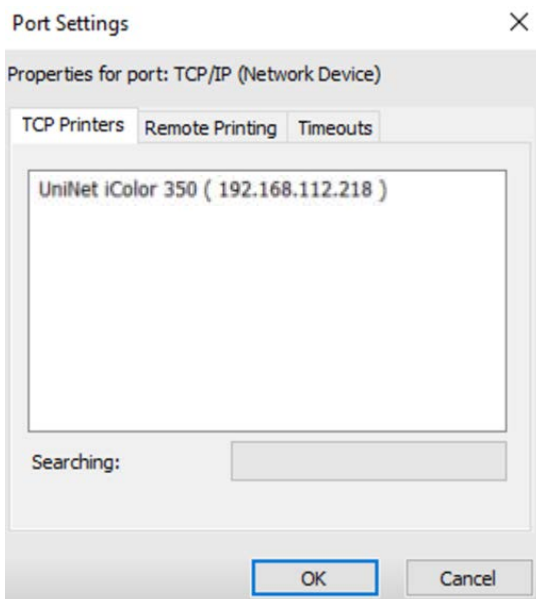
⚠️ For USB connections, do not choose the port 'Printer_USB-001+'. The proper port will also have the printer name in the description.

⚠️ All other ports will update automatically, it is only necessary to do this for one queue.



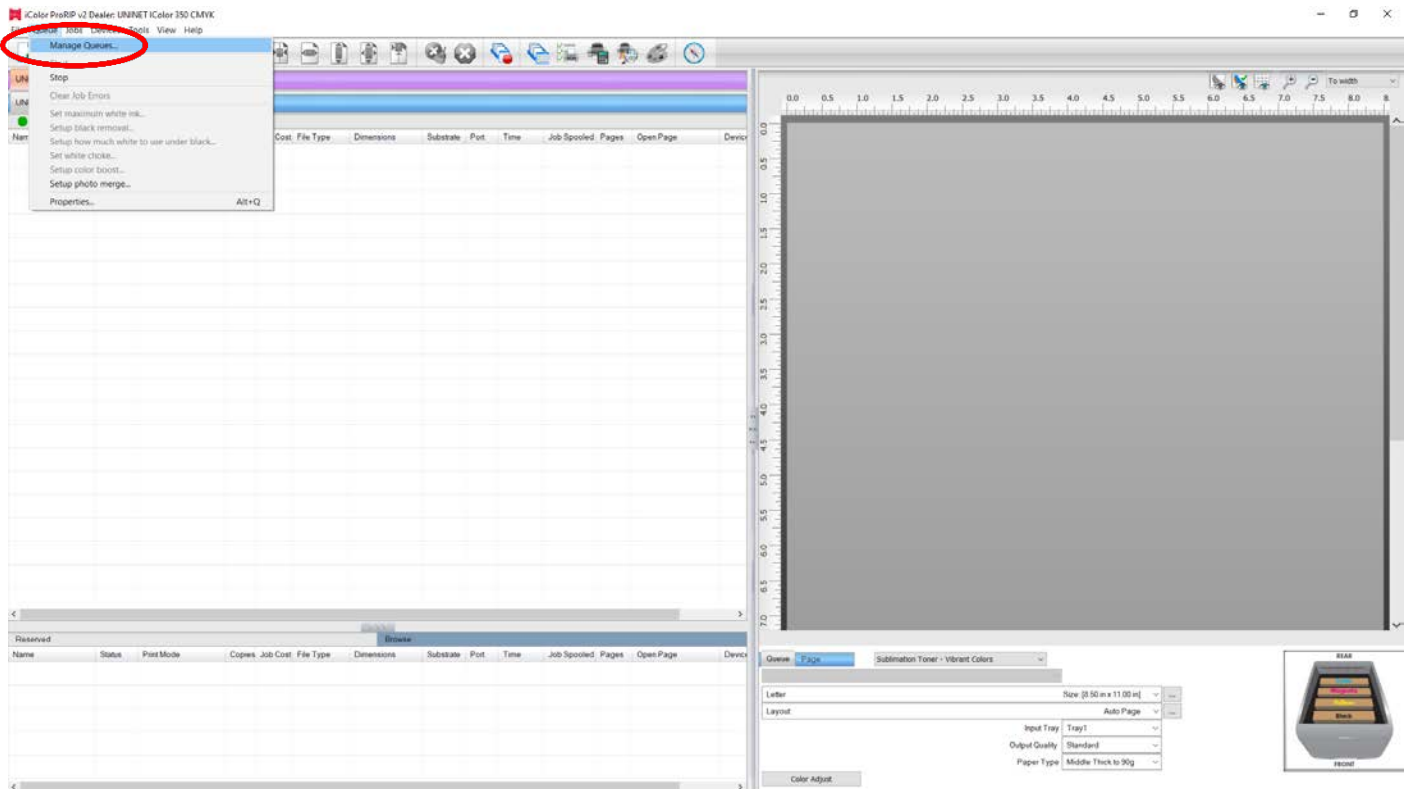
6) If connected via network, once TCP/IP is selected, the software will poll your network for available printers. Select the proper IColor™ printer. Note that the IP address of the printer is displayed.

⚠️ Be sure to set a static IP address for your printer so that the IP address does not change later. If this happens, you will have to repeat this step.

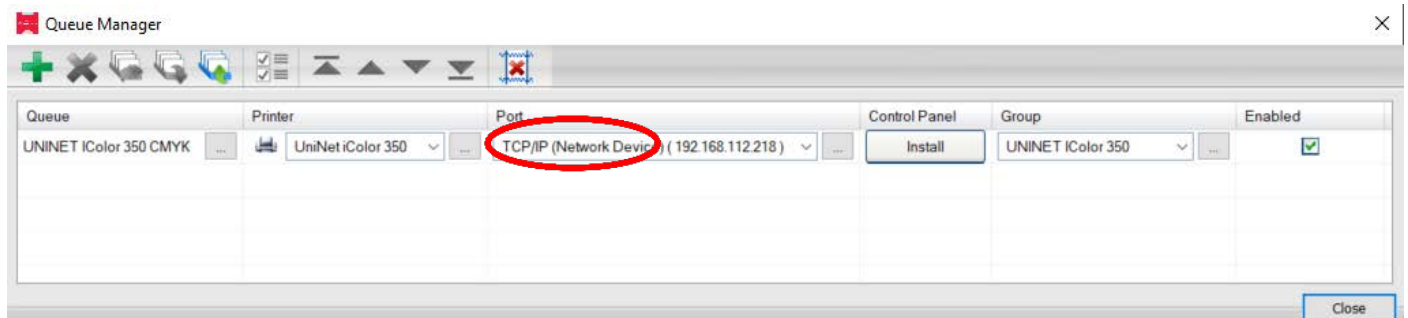


- 7) If you need to change or reset the ports in the future:
Click **Queue >> Manage Queues** to view, update or change the port settings.

 Port settings will reset when the queues are updated so you will have to do this from time to time.

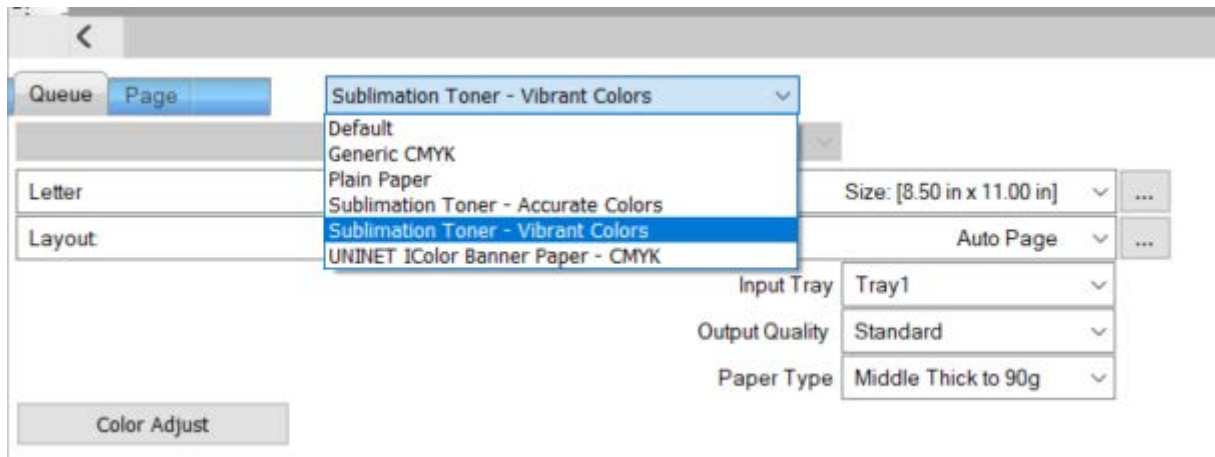


- 8) In the 'Port' drop down menu, choose the proper port. If connected via network (recommended), choose TCP/IP. If connected by USB, choose the printer as identified in the drop down.



- 9) If connected via network, once TCP/IP is selected, the software will poll your network for available printers. Select the proper iColor™ printer. Note that the IP address of the printer is displayed. Be sure to set a static IP address for your printer so that the IP address does not change later. If this happens, you will have to repeat this step.

10) Select the Print Mode (otherwise known as media type) and verify the size of that media before importing your graphic.



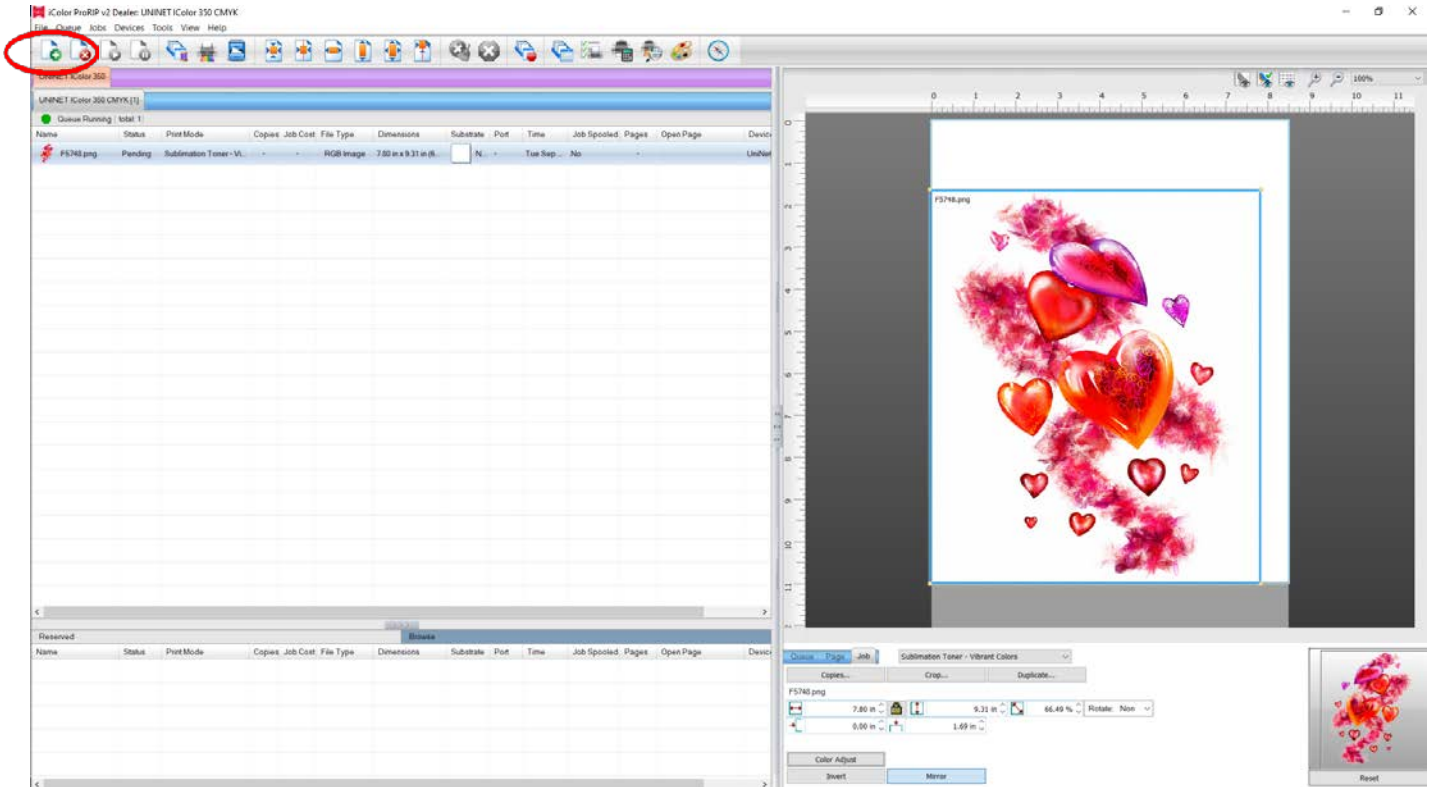
⚠ If printing photographic type images (especially for skintones) which require more accurate color representation, select 'Sublimation Toner – Accurate Colors' which will engage the embedded ICC profile.

- Pressed images will have more accurate colors, but will not be as vibrant.
- If not already done, be sure to always mirror your image before you print.

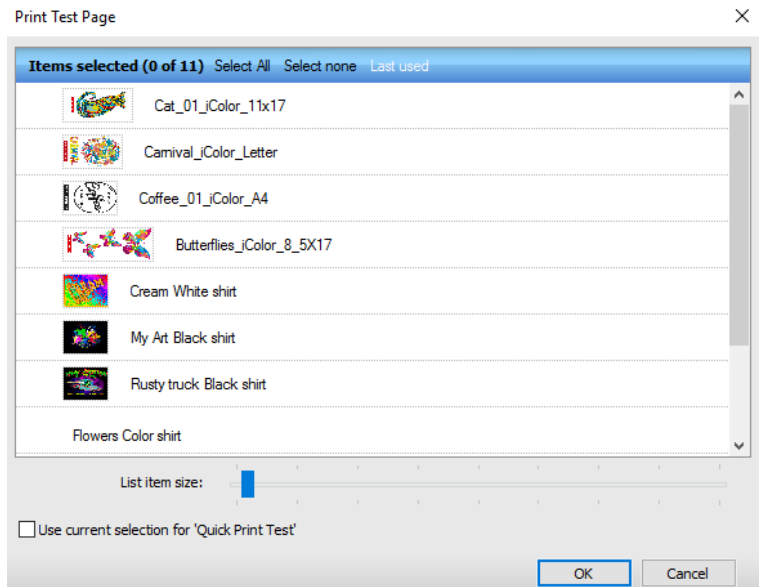
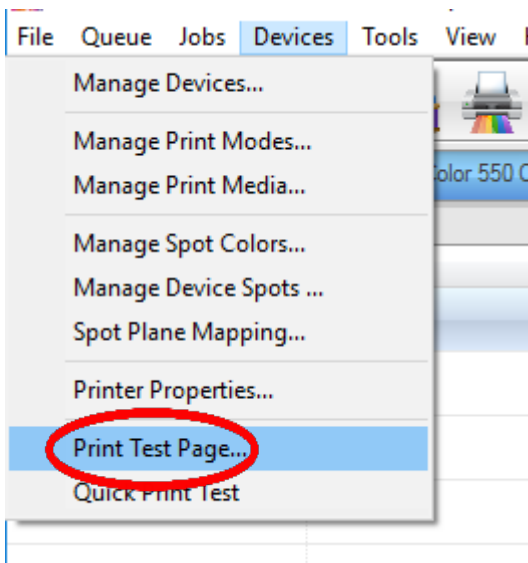
⚠ For vector graphics or 'cartoon-like' images, where color matching isn't as important as vibrancy, select 'Sublimation Toner – Vibrant Colors' which will NOT engage the embedded ICC profile.

- This allows the prints to press as vividly as possible.
- If not already done, be sure to always mirror your image before you print.

- 11) Import the desired graphic by clicking the 'green plus' icon and navigating to the proper folder. You can also import by clicking **File > Import File**, or simply dragging and dropping your file into the queue.



- 12) There are preloaded images that can be used to print a test page. Click **Devices >> Print Test Page** to see the choices. It is suggested that you print a test page upon completion of the setup to confirm the printer has been properly installed. Use [Shift] and [Ctrl] to click multiple pages), and then click OK. More about the uses of each page can be found in the Help Topics file within the ProRIP program as well as the ProRIP User Manual.



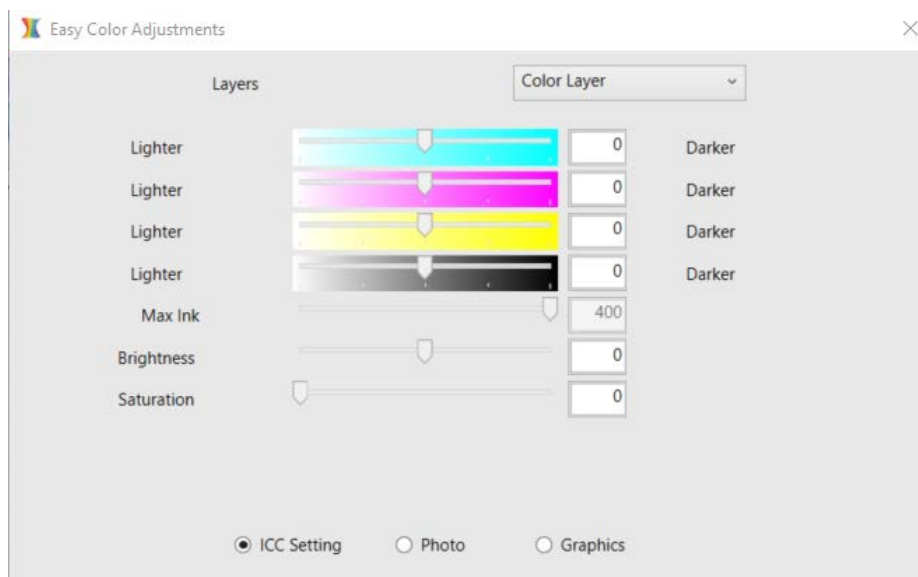
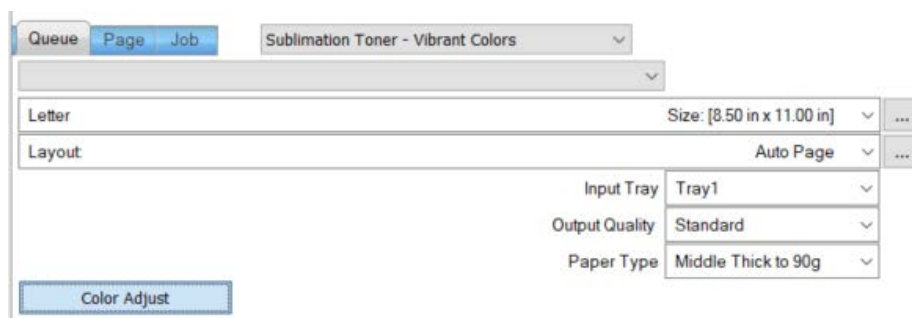
Using the ProRIP Software (Summary)

Once your image is loaded, take note of the preconfigured settings relating to the media being used in the printer.

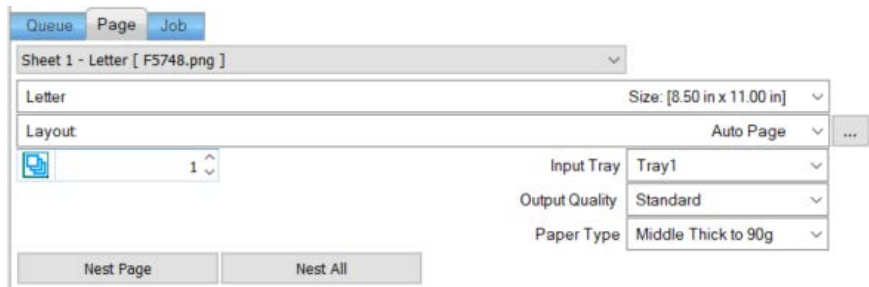
The 'Queue' tab shows the size of the media that will be used, where to load the media into the printer and the paper type setting recommended.

Each media type will contain this preconfigured data to make your printing experience as easy as possible. Overriding these settings could yield undesirable results.

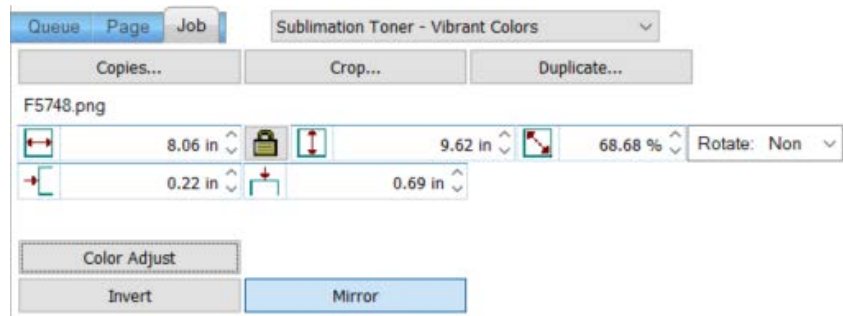
To alter the color settings, click on 'Color Adjust' and adjust as needed.



The 'Page' tab offers the ability to print multiple copies and nest images. You can also adjust the size of the image to fit your media here (and in the Queue tab).

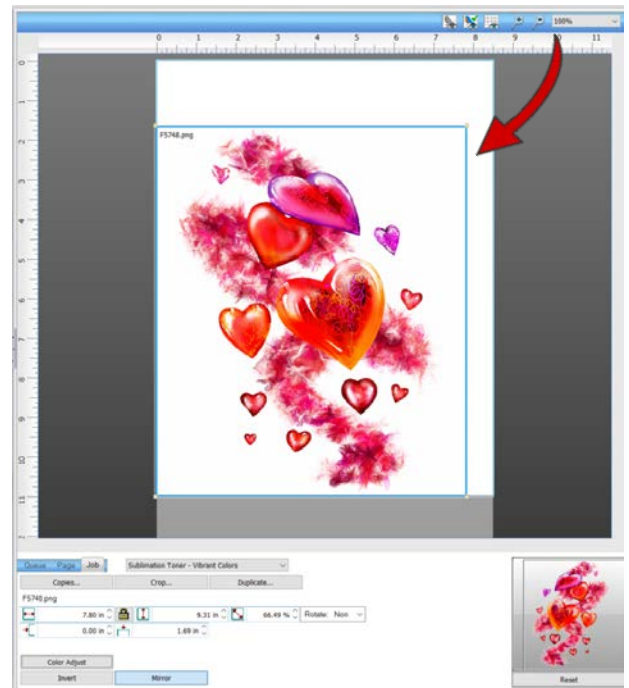
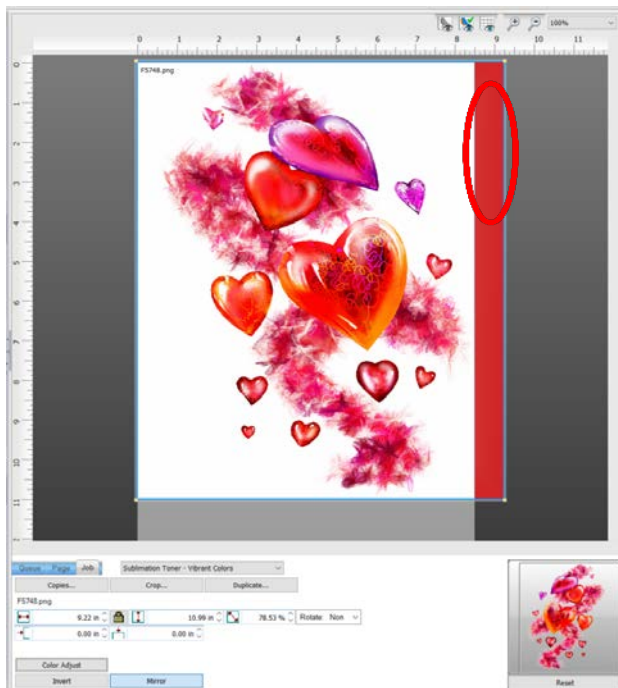


The 'Job' tab allows you to lock the proportions of your image to maintain the aspect ratio. Here you can also mirror, rotate and invert the image, as well as adjust the margins of the print if necessary.

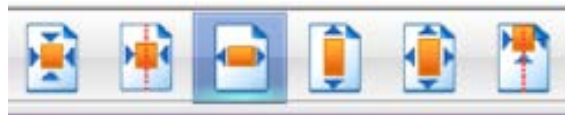


Note that the mirror function is automatically on for any image loaded into the overprint queue.

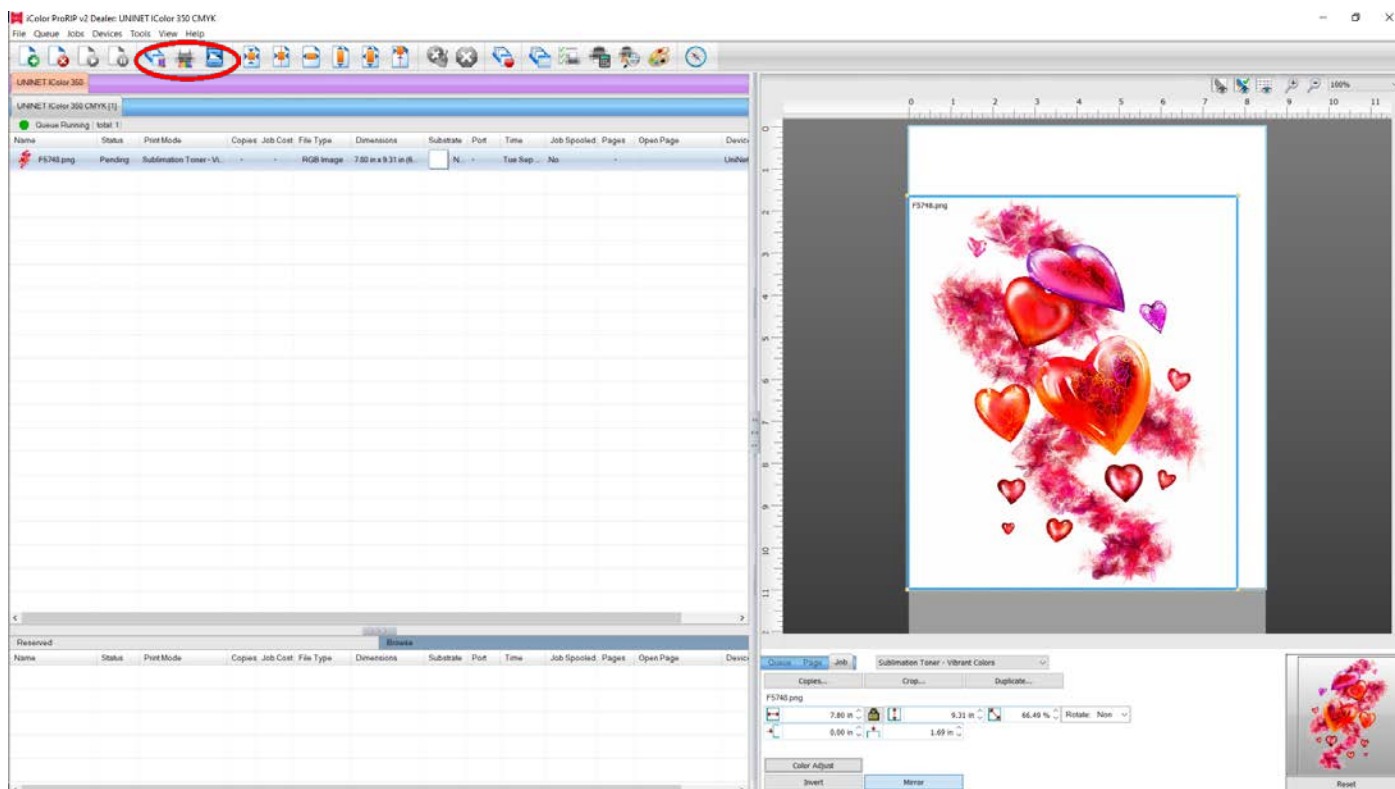
- You can also adjust the size of any image by dragging and dropping the corner of the image in the preview pane.
- In this example, where we have a letter sized image placed on a letter size artboard, the red bar to the right of the image represents the portion of image that is outside the print margins. Be sure to resize to eliminate this bar before printing.



Adjustments can also be made by using these icons at the top of the screen.



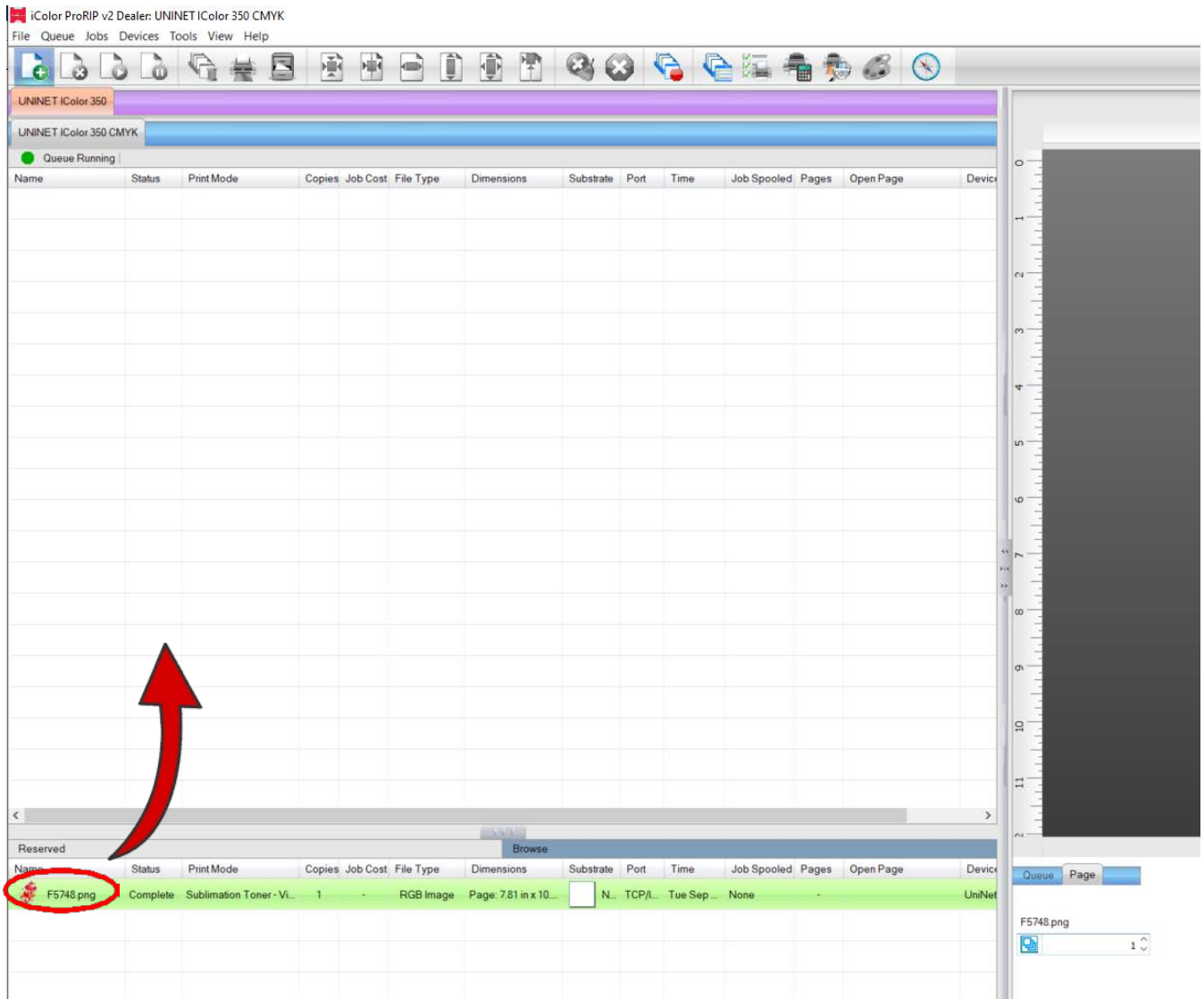
When ready, click the 'Print' icon to print your graphic.



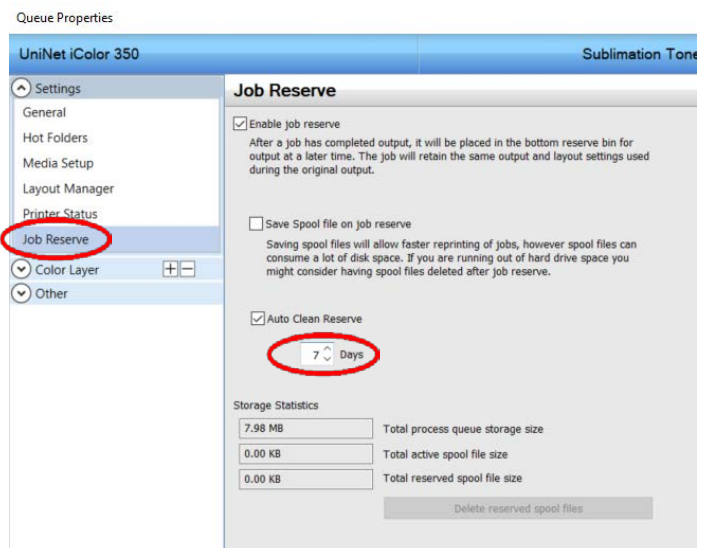
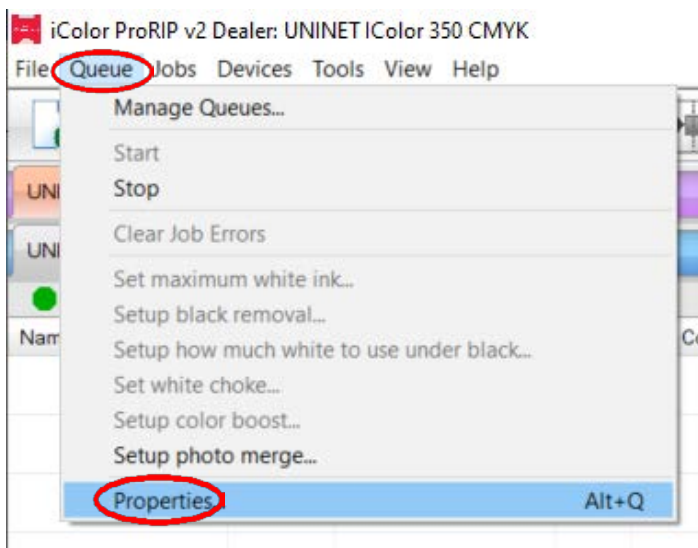
⚠ If you encounter any of these issues when printing from the RIP, please refer page 30, step 7 to set the proper port in Queue Manager.

- Port Failed to open
- Holding
- Prompt to save rather than print
- Unknown error

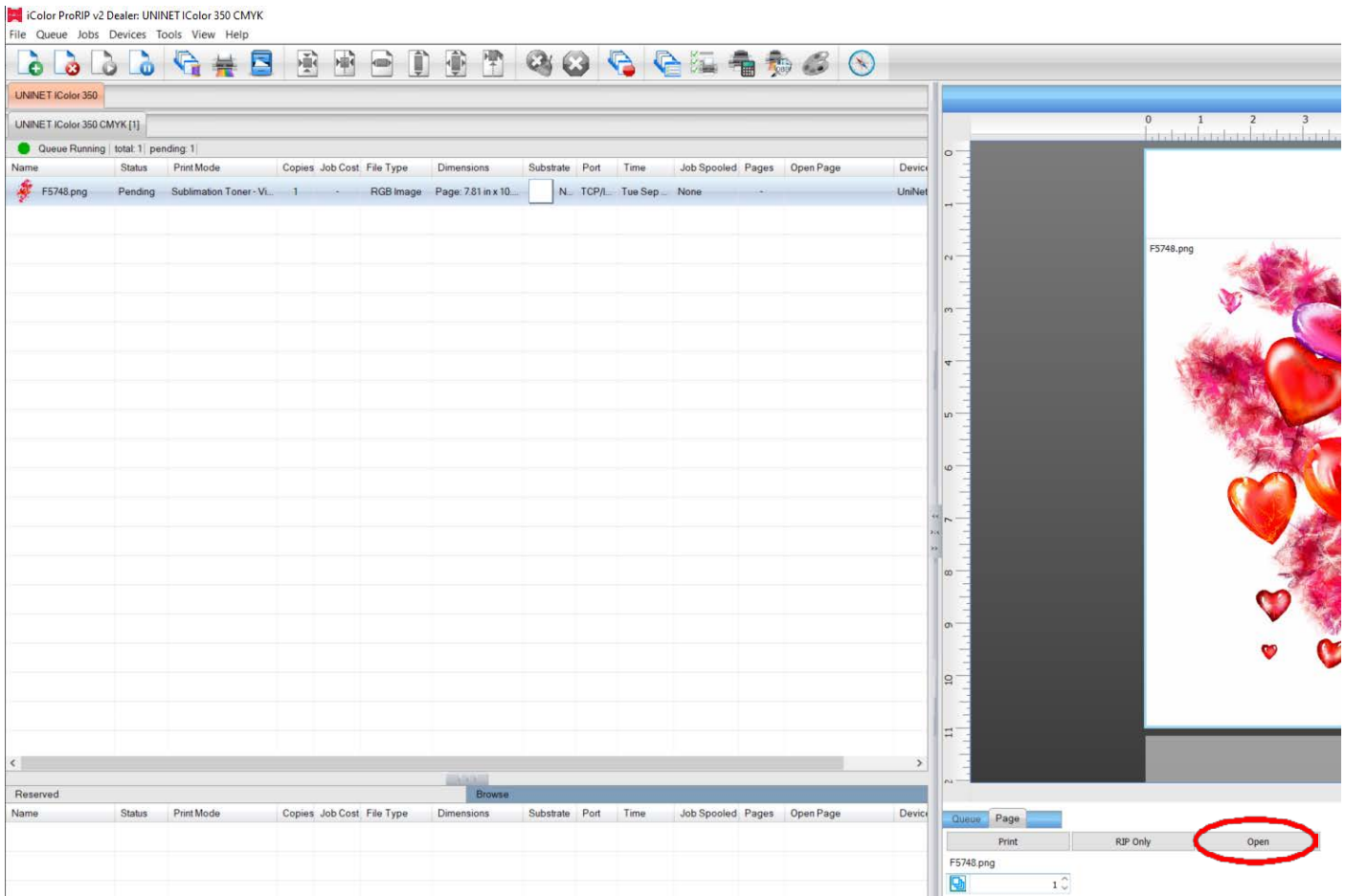
Once the print has completed, the job will be archived in the reserved area for 7 days. If you wish to reprint that job, drag and drop the job from the reserved section into the proper queue.



To lengthen the amount of time a job stays in reserve, click **Queue>>Properties**. Then click 'Job Reserve' and set the 'Auto Clean Reserve' time frame. Unclick to keep jobs in reserve forever.



After a particular job has printed, it will be 'closed'. This means that it was rendered by the software so that the next time you print, the processing time will be minimal. If you need to make any changes to the print job before printing, you must 'open' the job from the page tab. Otherwise, just reprint as needed (processing time is faster when already rendered).



For more detailed instructions for the IColor™ ProRIP software, please consult the IColor™ ProRIP User Manual.

Visit www.icolorprint.com/support for the most updated written and video instructions on the IColor™ ProRIP software.

Printing with the IColor™ 350:

1. Place your media into the tray of your IColor™ printer and print your image. High quality copy paper is suggested (Inkjet dye sublimation media will not work as well).
 - ⚠ DO NOT USE TRANSFER PAPER INTENDED FOR WHITE TONER PRINTERS IN THIS PRINTER AS IT COULD CAUSE A JAM. USE ONLY COPY PAPER.
 - ⚠ NOTE: The printed image may appear light and have imprecise colors. Do not judge the quality of the print until you press the image - it will look correct when pressed to the substrate after the sublimation process.
2. When ready to press the image, place copy paper above and below transfer (instead of kraft paper), as the image will sublimate outward and will create a residue transfer to whatever is above or below the image.
 - For most applications, press at 380°F / 193°C with low pressure.
 - The duration of the press depends on the type and thickness of the substrate used as well as the graphic type, but is usually between 60 – 120 seconds.
 - Longer press duration increases color density.
 - Quickly cool the substrate to stop the sublimation process – not doing so could result in a ghosting effect or a lighter final result.
 - The use of STC9 solution or SubliClean sheets will be needed for most hard surfaces, to remove or block out transferred toner residue.

Instructions for specific substrates:

Suggested press times and peeling methods:

All instructions below are based on specific substrates. Your results may vary. Pressing time, temperature and pressure settings may need to be adjusted based on the substrate used.

Sublimatable Glass (White Backer)

- 1) Close the press to preheat the lower platen. It is also recommended to warm up the glass substrate as well, for best results.
- 2) Print the image using the IColor™ Dye Sublimation Toner kit. Do not mirror print for this application.
- 3) Place a piece of copy paper on the press to protect the bottom plate (if desired).
- 4) Place the substrate on the lower platen of the press (white backer face up).
- 5) Align the printed image to the substrate with the printed image on top (image facing the substrate). You can tape the media to the substrate or lower platen for additional stability.
- 6) Cover the transfer with copy paper.
- 7) Press at 380°F / 193°C with low pressure for 420 seconds (7 mins).
- 8) Open the press slowly and peel immediately (hot peel).
- 9) Cool substrate as quickly as possible.
- 10) If necessary, clean excess toner residue with STC9 solution, or use a SubliClean sheet during the pressing stage.

Coated Acrylic / Unisub Plastics

- 1) Close the press to preheat the lower platen.
- 2) Print the image using the IColor™ Dye Sublimation Toner kit. [Mirror Print](#).
- 3) Place a piece of copy paper on the press to protect the bottom plate (if desired).
- 4) Place the substrate on the lower platen of the press (coated side face up).
- 5) Align the printed image to the substrate with the printed image on top (image facing the substrate). You can tape the media to the substrate or lower platen for additional stability.
- 6) Cover the transfer with copy paper.
- 7) Press at 380°F / 193°C with low pressure for 60 seconds.
- 8) Open the press slowly and peel immediately (hot peel).
- 9) Cool substrate as quickly as possible.
- 10) If necessary, clean excess toner residue with STC9 solution, or use a SubliClean sheet during the pressing stage.

Duraluxe Aluminum

- 1) Close the press to preheat the lower platen.
- 2) Print the image using the IColor™ Dye Sublimation Toner kit. [Mirror Print](#).
- 3) Place a piece of copy paper on the press to protect the bottom plate (if desired).
- 4) Place the substrate on the lower platen of the press (coated side face up). [Peel off protective film](#).
- 5) Align the printed image to the substrate with the printed image on top (image facing the substrate). You can tape the paper to the substrate or lower platen for additional stability.
- 6) Cover the transfer with copy paper, and then a [silicon pad](#).
- 7) For full color images: Press at 380°F / 193°C with low pressure for 60 - 120 seconds, depending on how saturated you want the colors to be.
 - a. For 100% black text only - Press at 430°F / 221°C with low pressure for 20 seconds.
 - b. For 100% black images and graphics - Press at 430°F / 221°C with low pressure for 60 seconds.
- 8) Open the press slowly and peel immediately (hot peel).
- 9) Cool substrate as quickly as possible.
- 10) If necessary, clean excess toner residue with STC9 solution, or use a SubliClean sheet during the pressing stage.

Sublimatable Metals (DynaSub / Unisub / SuperSub)

- 1) Close the press to preheat the lower platen.
- 2) Print the image using the IColor™ Dye Sublimation Toner kit. [Mirror Print](#).
- 3) Place a piece of copy paper on the press to protect the bottom plate (if desired).
- 4) Place the substrate on the lower platen of the press (coated side face up). [Leave protective film on the substrate](#).
- 5) Align the printed image to the substrate with the printed image on top (image facing the substrate). You can tape the paper to the substrate or lower platen for additional stability.
- 6) Cover the transfer with copy paper and a [silicon pad](#).
- 7) For full color images: Press at 380°F / 193°C with low pressure for 60 - 120 seconds, depending on how saturated you want the colors to be.
 - a. For 100% black text only - Press at 430°F / 221°C with low pressure for 20 seconds.
 - b. For 100% black images and graphics - Press at 430°F / 221°C with low pressure for 60 seconds.

- 8) Open the press slowly and peel immediately (hot peel).
- 9) Cool substrate as quickly as possible, then remove the protective film once cooled.
- 10) If necessary or when pressing without the protective film, clean excess toner residue with STC9 solution, or use a SubliClean sheet during the pressing stage.

SubliSlate

- 1) Close the press to preheat the lower platen.
- 2) Print the image using the IColor™ Dye Sublimation Toner kit. [Mirror Print](#).
- 3) Place a piece of copy paper on the press to protect the bottom plate (if desired).
- 4) Place the substrate on the lower platen of the press (coated side face up). Align the printed image to the substrate with the printed image on top (image facing the substrate). It is suggested you wrap the transfer around the substrate and tape it securely. This will allow the edges of the substrate to accept the transfer as well.
- 5) Cover the transfer with copy paper.
- 6) Press at 380°F / 193°C with low pressure for 540 seconds (9 mins).
- 7) Open the press slowly and peel immediately (hot peel).
- 8) Cool substrate as quickly as possible.
- 9) If necessary, clean excess toner residue with STC9 solution, or use a SubliClean sheet during the pressing stage.

Coated Ceramic (Heat Press)

- 1) Close the press to preheat the lower platen.
- 2) Print the image using the IColor™ Dye Sublimation Toner kit. [Mirror Print](#).
- 3) Place a piece of copy paper on the press to protect the bottom plate (if desired).
- 4) Place the substrate on the lower platen of the press (coated side face up). Align the printed image to the substrate with the printed image on top (image facing the substrate). You can tape the paper to the substrate or lower platen for additional stability.
- 5) Cover the transfer with copy paper.
- 6) Press at 380°F / 193°C with low pressure for 150 - 180 seconds.
- 7) Open the press slowly and peel immediately (hot peel). Dunk into warm water to stop the sublimation process.
- 8) If necessary, clean excess toner residue with STC9 solution, or use a SubliClean sheet during the pressing stage.

Ceramic Mugs (Mug Press)

- 1) Print the image using the IColor™ Dye Sublimation Toner kit. [Mirror Print](#).
- 2) Trim the image and align to the mug dimensions.
- 3) Use heat resistant tape and hold in place. Be sure not to tape over any part of the image or defects will result.
- 4) Place the mug into the mug press and press at 380°F / 193°C with medium pressure for 150 - 180 seconds.
- 5) Open the press slowly and peel immediately (hot peel). Dunk into warm water to stop the sublimation process.
- 6) If necessary, clean excess toner residue with STC9 solution, or use a SubliClean sheet during the pressing stage.

Polyester Textiles

- 1) Close the press to preheat the lower platen.
- 2) Print the image using the IColor™ Dye Sublimation Toner kit. [Mirror Print](#).
- 3) THREAD the shirt or textile onto the lower platen of the press. Failure to thread the textile will cause the image to sublimate through the textile to the other side.
- 4) Align the printed image to the substrate with the printed image on top (image facing the substrate). You can tape the substrate to the printed transfer for additional stability.
- 5) Cover the transfer with copy paper.
- 6) Press at 380°F / 193°C with low pressure for 60 - 90 seconds for full color images and up to 120 seconds for solid 100% K images (more time yields darker results).
- 7) Open the press slowly, peel immediately and cool the substrate as quickly as possible.
- 8) STC9 solution or SubliClean is NOT used for textile transfers.

Removing the polymer residue left behind on hard surfaces:

SubliClean

For most hard surfaces, the use of UNINET™ SubliClean film will prevent toner residue from transferring to the substrate during the pressing process. SubliClean is available in rolls, and is used in between the substrate and the printed transfer.

- 1) Unroll and cut a piece of SubliClean slightly larger than the size of the substrate.
- 2) Lay it flat on the substrate, then cover with the printed transfer sheet.
- 3) Press as stated in the above instructions.
- 4) SubliClean should peel cleanly once it has cooled and solidified.
- 5) Discard after use, do not reuse.
- 6) Not for use on fabrics or garments. Only for use on hard surfaces!
- 7) The result will be a brighter, glossier image on your substrate.

STC9 Solution

Instead of SubliClean, the use of STC9 cleaning solution will remove any toner residue that may have transferred.

- 1) After the image has been pressed and peeled - pour a small amount of the solution onto the completed substrate and rub with a paper towel. The residue will come off rather easily.
- 2) Once finished, be sure to wash off the cleaner from the substrate with soap and water before using.
- 3) Not for use on fabrics or garments.
- 4) The result will be a brighter, glossier image on your substrate.

Be sure to order SubliClean or a bottle of STC9 with your Dye Sublimation kit if you plan to work with hard surfaces!

TECH TIPS

Some substrates may require more or less press time and/or varying pressure depending on the material used.

When pressing, a longer press duration will result in deeper and denser colors. Some testing may be required to achieve the desired result. Pressing for too long can cause an overexposed look. If more vibrant colors are desired, do not use the ICC profile. The profile is designed for photo-realistic images. To obtain the stand alone ICC Profile, contact your IColor™ dealer.

For textiles and Tshirts, the use of a threadable heat press is required. Otherwise the image could sublimate onto the other side of the textile.

In order to stop the sublimation process on ceramics, you must dunk the substrate in water or the image may start to blur and spread as the gasses rise. For other hard surfaces and textiles, it is suggested to quickly cool the substrate after peeling away the transfer. Do this by air cooling, or placing the textile on a cold surface such as stone or metal to retain color vibrancy.

Overbled images can sublimate onto the plates of the heat press, so the use of copy paper below and above your project is recommended to protect the plates of your heat press. Use of upper and lower covers is also suggested.

If you are using tape to secure your image to the substrate, make sure the tape is not covering any part of the transfer, as that will lead to inconsistent results. Heat resistant tape is suggested.

To see video instructions for IColor™ Dye Sublimation Toner, visit www.icolorprint.com/video

Technical Support Email: Log a ticket at <https://www.icolorprint.com/get-support>

Technical Support Phone: 631-590-1040, Option 2

(Or scan this QR Code)



SAVE THE BOX AND PACKAGING! Needed if the machine needs to be sent back for service.

Use Genuine UNINET IColor™ Consumables

⚠ Only use genuine UNINET IColor™ consumables. The use of incompatible supplies (toner, transfer belts, fusers and registration assemblies) may cause damage to your printer not covered by your warranty. Contact your dealer to reorder supplies.

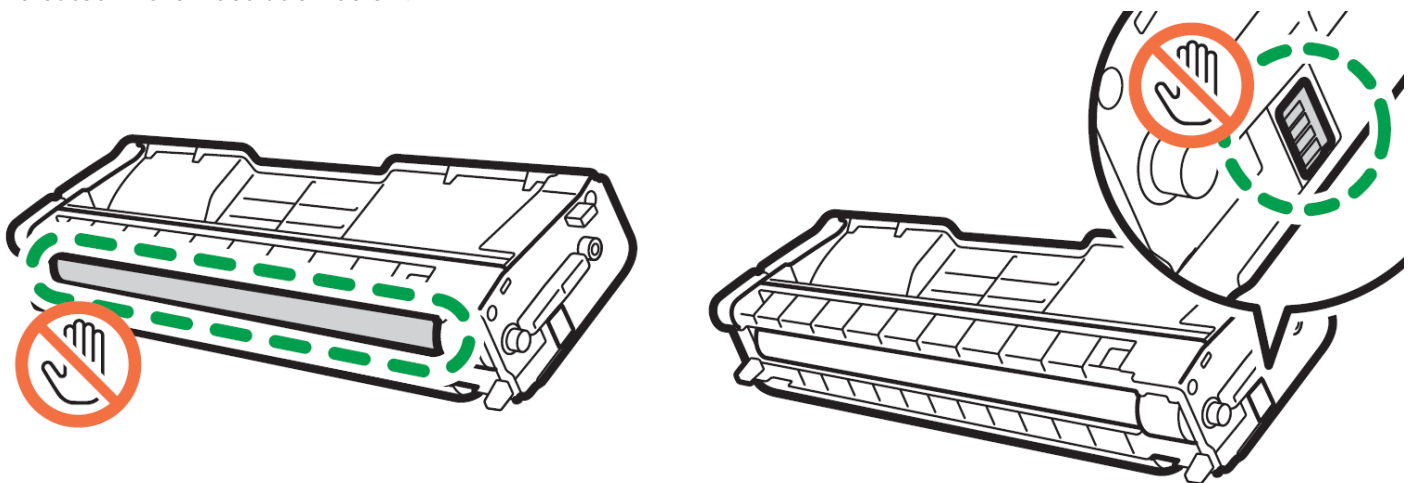
Suggested storage conditions:

Whenever not in use, be sure to store the Dye Sublimation cartridges in a dark, safe place with their plastic drum covers. Prolonged exposure to light is detrimental to the OPC drum cylinder. The recommended range for the temp and humidity is 40% RH to 70% RH, temp 59 to 77°F / 25°C.

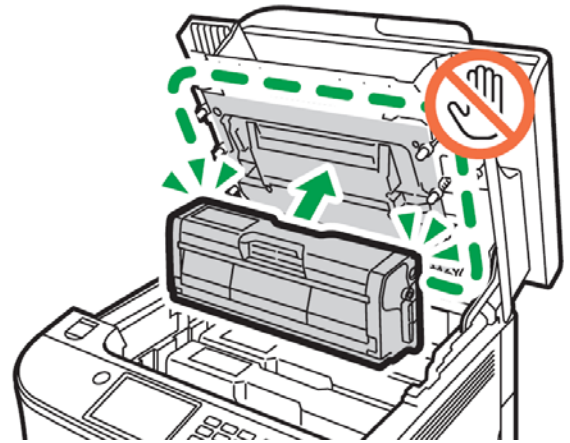
Maintaining your Printer

Replacing the Print Cartridges

- Store print cartridge in a cool dark place.
- Actual yield varies depending on image volume and density, number of pages printed, paper type and size, and environmental conditions such as temperature and humidity.
- The manufacturer shall not be responsible for any damage or expense that might result from the use of parts other than genuine parts from the manufacturer with your office products.
- When the toner runs out, pressing the [Stop/Start] key allows you to print a few more pages, but the print quality of those pages may be lower.
- Do not allow paper clips, staples, or other small objects to fall inside the machine.
- Do not expose the print cartridge without its cover to direct sunlight for a long time.
- Do not touch the print cartridge's photo conductor unit or the ID chip on the side of the print cartridge as indicated in the illustration below.

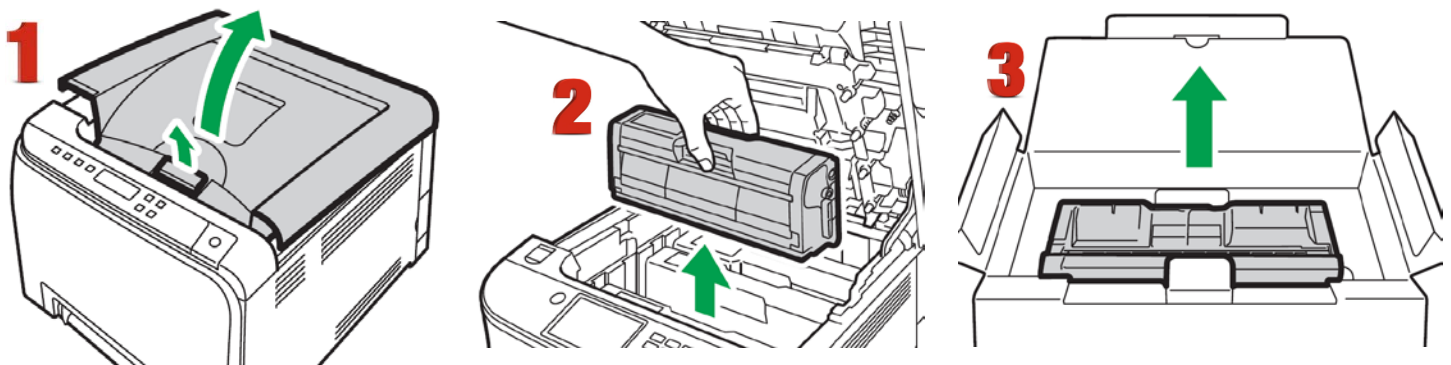


- When removing print cartridges, be careful not to touch the laser scanning unit under the upper cover (the position shown by the arrow in the illustration to the right).
- If cyan, magenta, or yellow toner runs out, you can print in monochrome using just the black toner. Change the color mode setting to Black and White using the machine's driver.
- If black toner runs out, you cannot print at all until the black print cartridge is replaced.

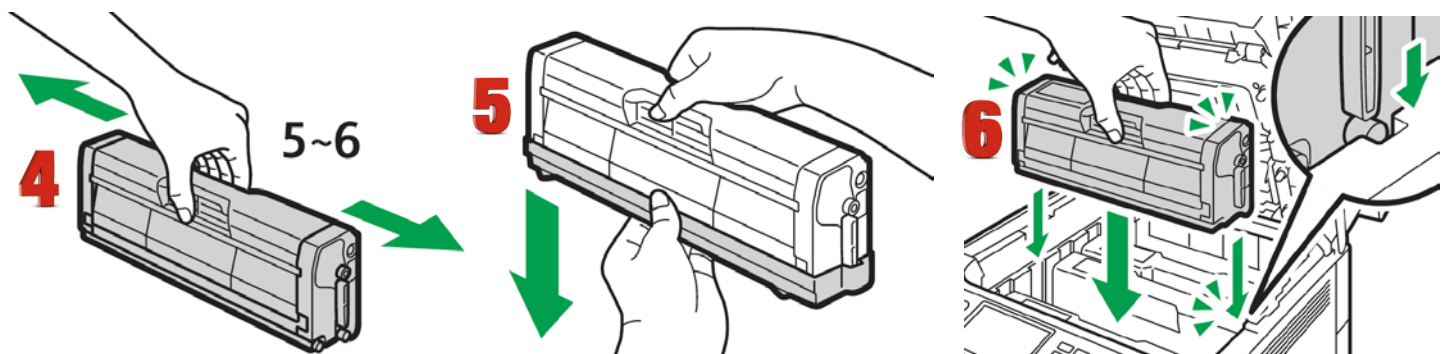


Messages on the screen:

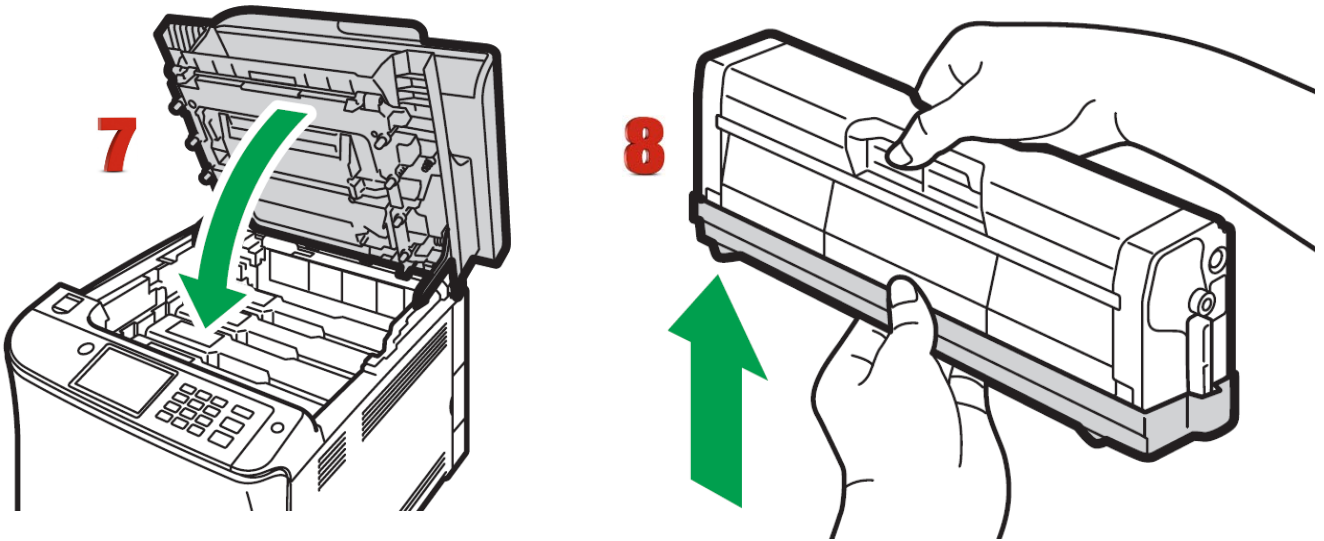
- Replace the indicated print cartridge when any of the following messages appear on the screen: "Replace Toner:" (X) ("X" indicates the toner color)
- Prepare the indicated print cartridge when any of the following messages appear on the screen: "Repl Tnr soon:" (X) ("X" indicates the toner color)



1. Pull up the lever on the top cover, and then carefully raise the top cover.
2. Carefully lift out the print cartridge vertically, holding its center.
 - From the rear, the print cartridges are installed in the order of cyan (C), magenta (M), yellow (Y), and black (K).
 - Take the new print cartridge out of the box, and then take it out of the plastic bag.



3. Hold the print cartridge and shake it from side to side five or six times.
⚠ Even distribution of toner within the bottle improves print quality.
4. Remove the protective cover from the print cartridge.
5. Check the toner color and corresponding location, and then carefully insert the print cartridge vertically.

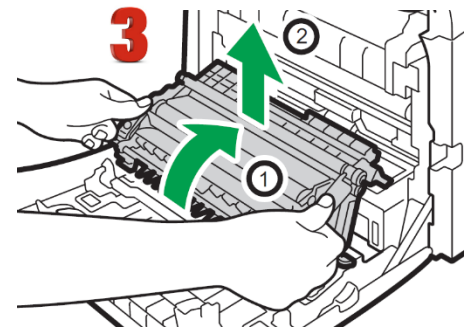
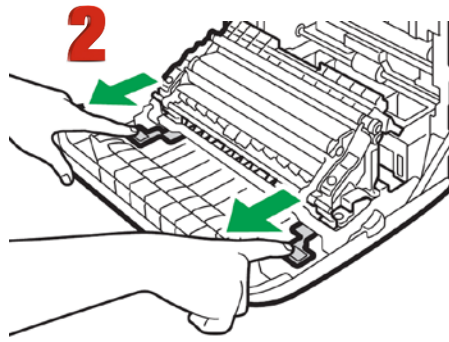
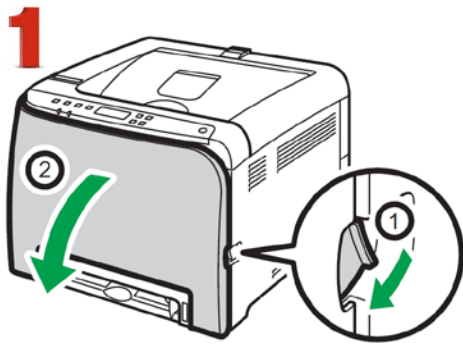


6. Using both hands, hold the center of the top cover and close the cover carefully.
7. Attach the protective cover you removed in Step 5 on the old print cartridge. Then, put the old print cartridge into the bag, and then put it into the box.

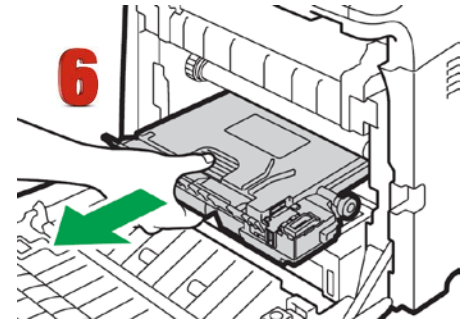
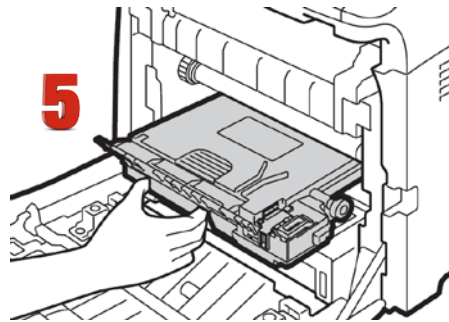
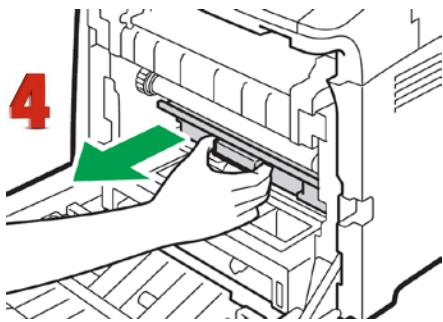
Replacing the Waste Toner Bottle

Messages on the screen:

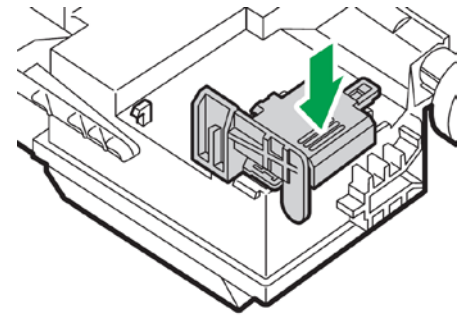
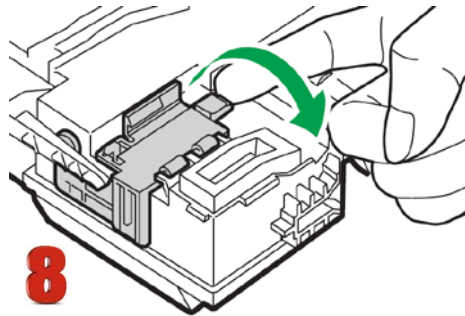
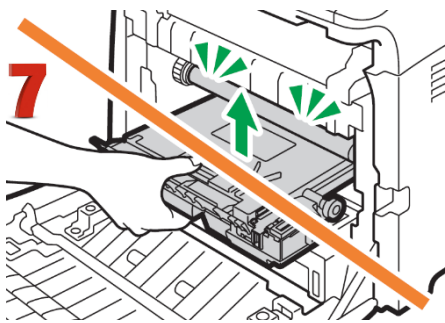
- Replace the waste toner bottle when the following message appears on the screen:
"Replace Waste Toner Bottle"
- Prepare a waste toner bottle when the following message appears on the screen:
"Replace soon: Waste Tnr Bottle"
- Waste toner bottles cannot be reused.
- When removing the waste toner bottle, make sure not to tilt it.
- Make sure the transfer unit is installed. If the transfer unit is not installed, install it before turning on the power.
- Before removing the waste toner bottle from the machine, spread paper or similar material around the area to keep toner from dirtying your workspace.



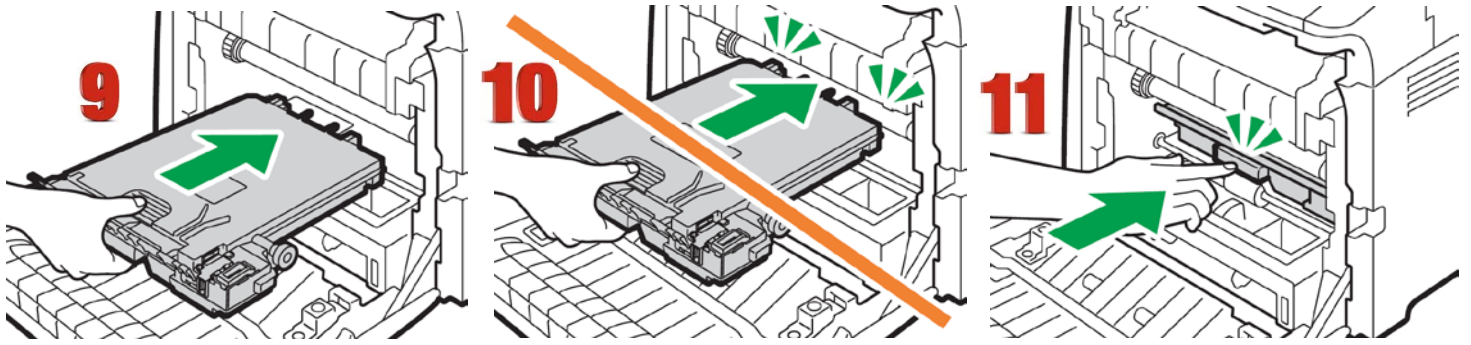
1. Pull the front cover open lever and then carefully lower the front cover.
2. Slide both levers on the front cover forward.
3. Holding the tabs on both ends of the transfer unit, tilt it backwards and lift it up.



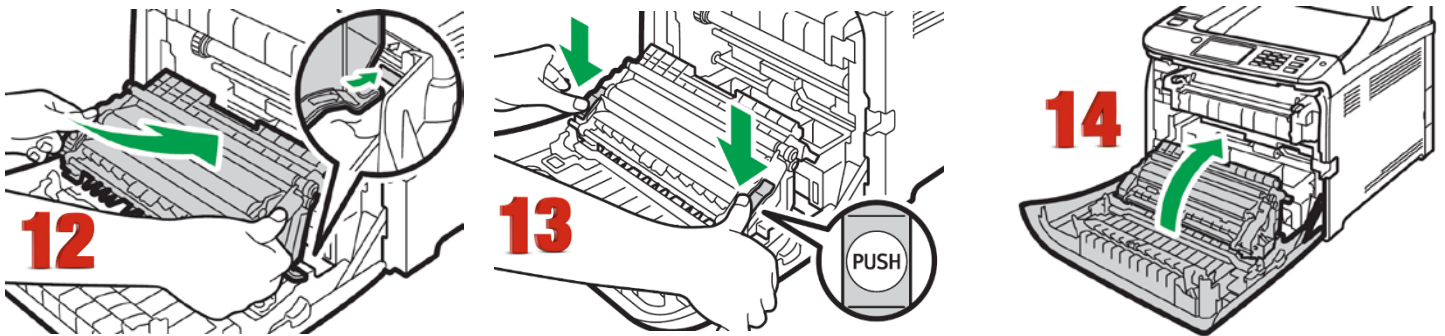
4. Holding the handle at the center of the waste toner bottle, carefully pull it partially out without tilting it.
5. Pull the waste toner bottle halfway out.
6. Holding the bottle firmly, pull it straight out.



7. To prevent the waste toner bottle from coming into contact with the intermediate transfer unit (the position shown by the arrow in the illustration below), do not lift the bottle while pulling it out.
8. Close the bottle cap.



9. Holding the center of the new waste toner bottle, carefully insert it halfway into the machine body.
 ⚠ Leave the bottle cap open.
10. To prevent the waste toner bottle from coming into contact with the intermediate transfer unit (the position shown by the arrow in the illustration below), do not lift the bottle while inserting it.
11. Push in the waste toner bottle until it clicks. Pressing the handle at the center, push the bottle all the way in.



12. Place the transfer unit on the front cover. Slide the transfer unit along the guide rails into the machine.
13. When it stops, push on the PUSH mark until it clicks.
14. Using both hands, carefully push up the front cover until it closes.
15. When closing the front cover, push the upper area of the cover firmly.

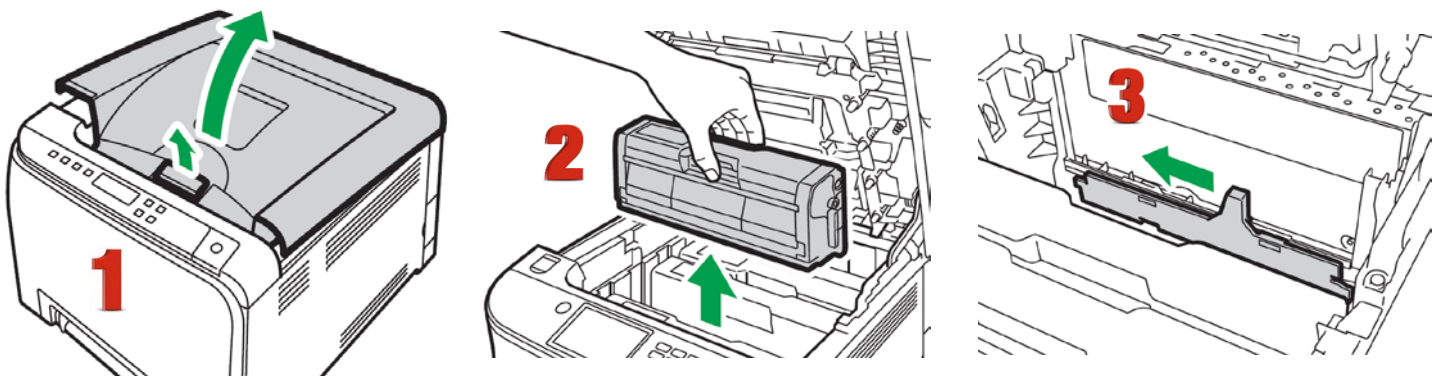
Non User Replaceable Components

If the Alert indicator on the control panel lights up and the "Replace Intermdt Transfer Belt", "Replace Fusing Unit" or "Replace Transfer Roller" message appears on the display, contact your sales or service representative.

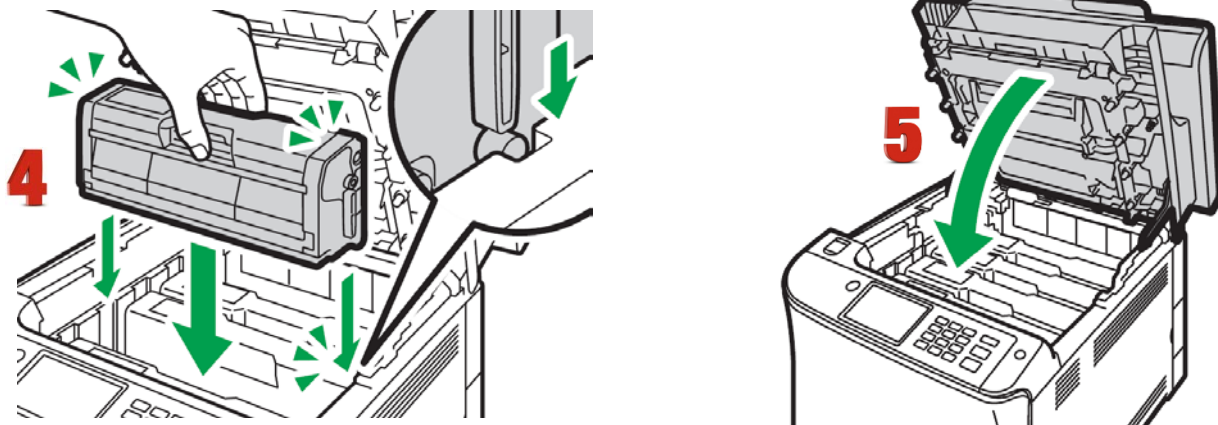
Cleaning the Toner Density Sensor

Clean the toner density sensor when the following message appears on the control panel.

"Density Sensor Require Cleaning"



1. Pull up the lever on the top cover, and then carefully raise the top cover.
2. Remove the rearmost print cartridge.
3. Slide the toner density sensor lever once to the left.



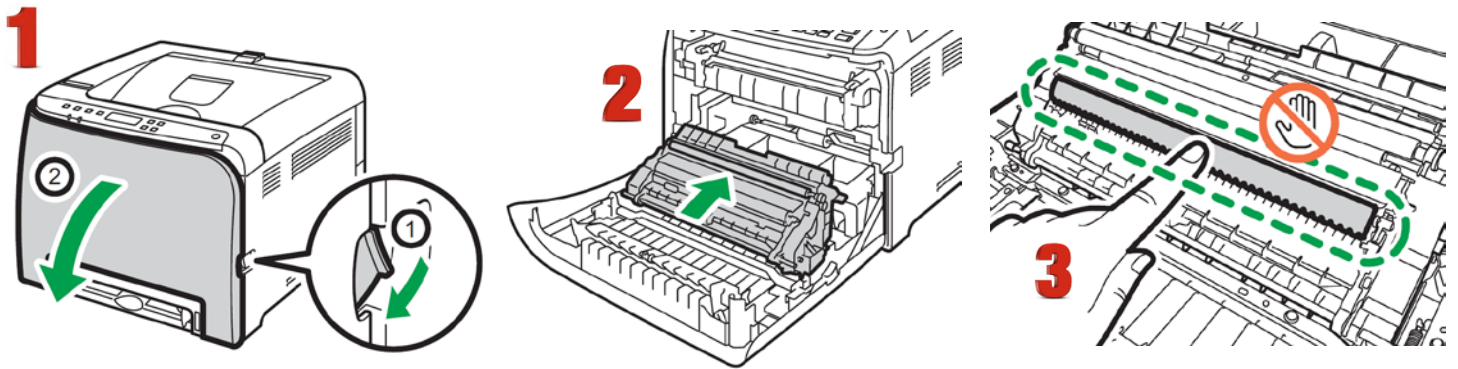
4. Carefully insert the print cartridge removed in Step 2 vertically.
5. Using both hands, hold the center of the top cover and close the cover carefully. Be careful not to trap your fingers.

Cleaning the Registration Roller

The registration roller can become dirty with paper dust if you print to non-standard paper.

Clean the registration roller if white dots appear on prints or if prints are smeared after a paper jam is cleared.

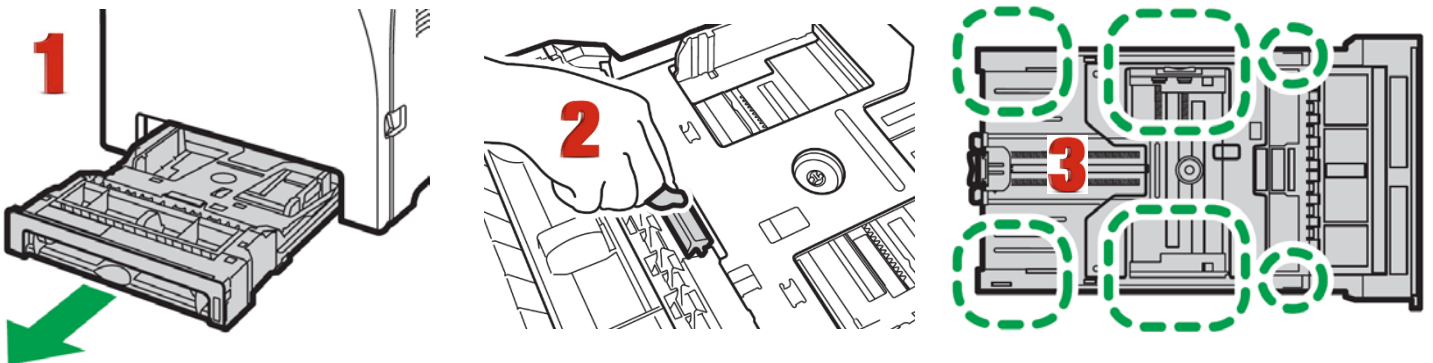
- Do not use chemical cleaning fluids or organic solvents such as thinner or benzene.



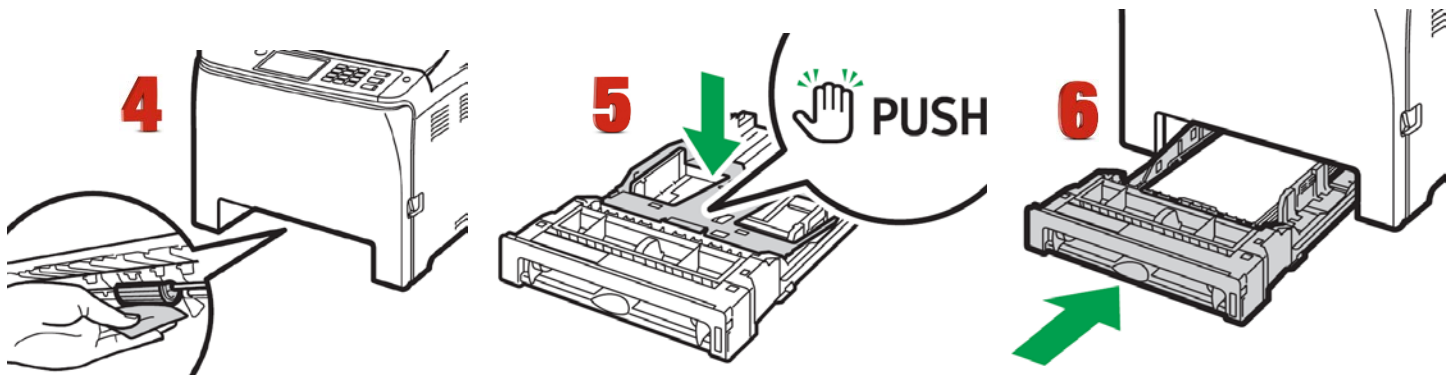
1. Turn off the power and unplug the power cord.
 - Pull the front cover open lever and then carefully lower the front cover. Be sure to set the registration roller in the position shown by the arrow in the illustration below.
 - Do not touch the transfer roller.
2. Clean the registration roller by applying a soft damp cloth while turning it using both hands, carefully push up the front cover until it closes.
3. When closing the front cover, push the upper area of the cover firmly.

Cleaning the Paper Tray, Friction Pad and Paper Feed Roller

If the friction pad or paper feed roller is dirty, a multi-feed or misfeed might occur. The paper tray can become dirty with paper dust if you print to non-standard paper.




1. Turn off the power and unplug the power cord. Pull out Tray 1 carefully with both hands.
2. Place the tray on a flat surface. If there is paper in the tray, remove it.
3. Wipe the friction pads and the inside of the paper tray with a cloth.



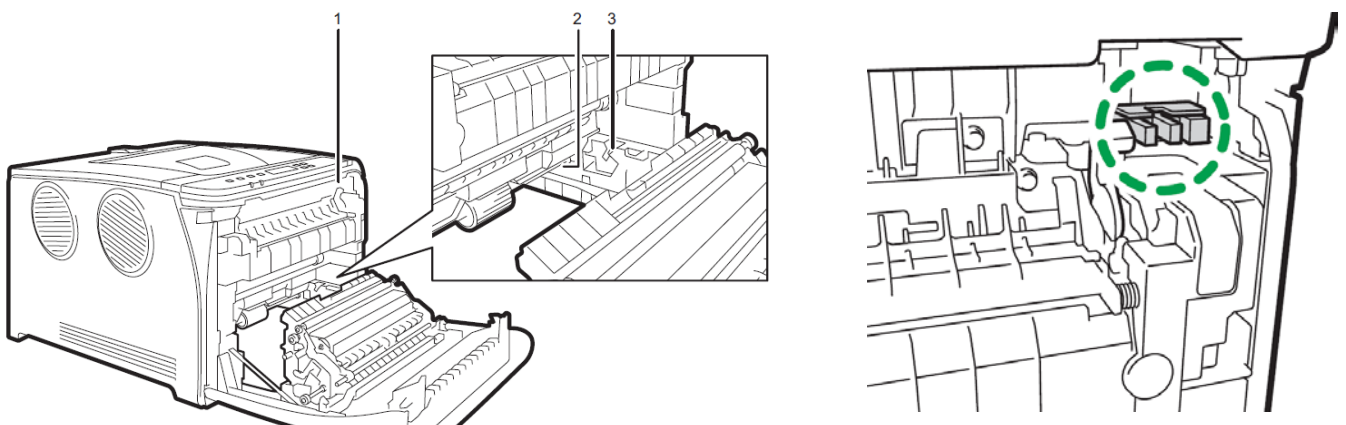
4. Underneath the printer, wipe the rubber part of the roller with a soft damp cloth. After that, wipe it with a dry cloth to remove the moisture.
5. Push the metal plate down until it clicks.
6. Reload the removed paper into the tray, and then push the tray carefully into the machine until it clicks into place.

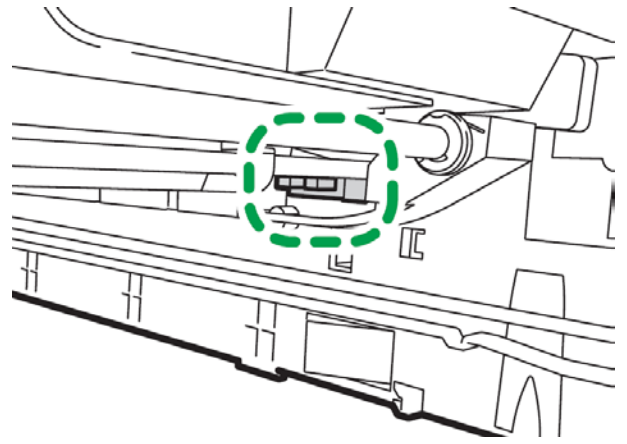
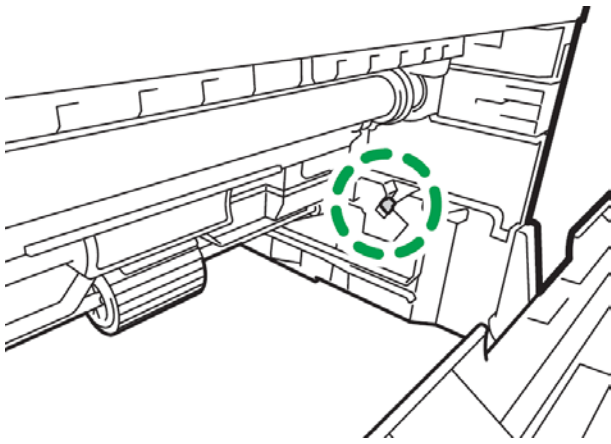
Removing Paper Jams

⚠ NOTE: The inside of this machine becomes very hot. Do not touch the parts labeled "  " (indicating a hot surface).

- Some of this machine's internal components get very hot. For this reason, take care when removing misfed paper. Not doing so could result in burns.
- Some of the internal components of this machine might be fragile. When you remove jammed paper, do not touch the sensors, connectors, LEDs, or other fragile parts that are shown in this manual. Doing so may cause malfunctions.

For the location of the sensors in the machine and extended options, see the following illustrations:



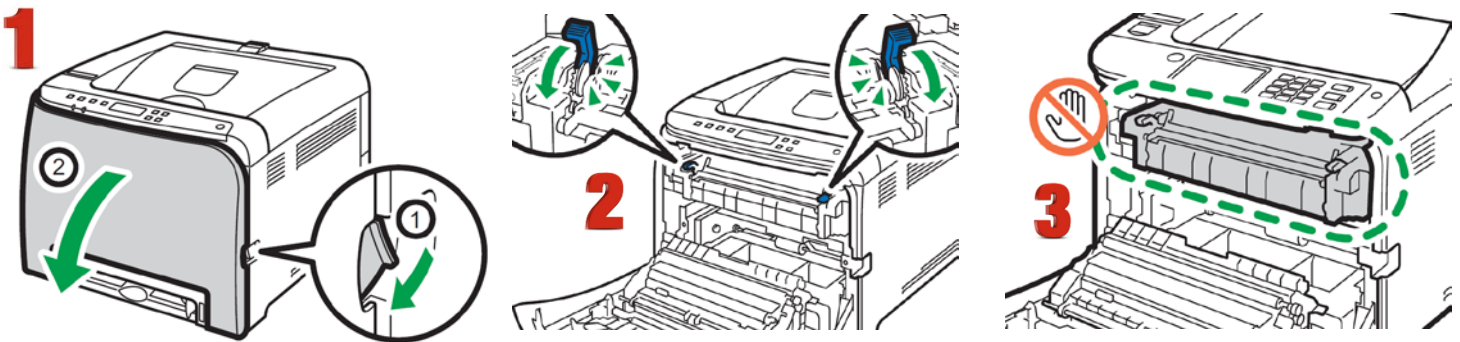


⚠ Important

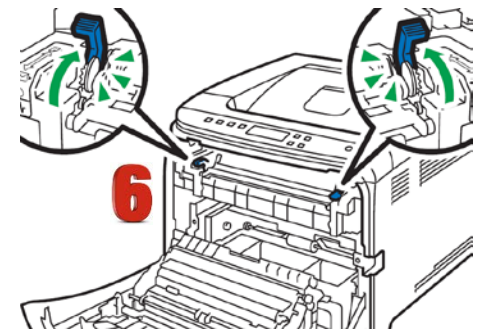
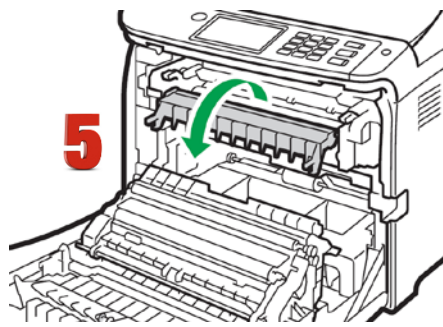
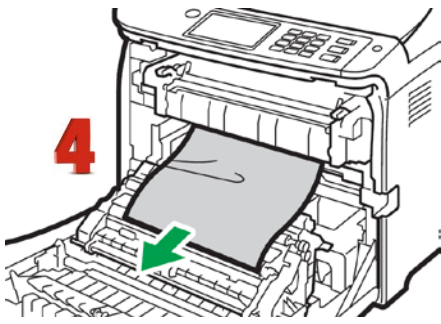
- Jammed paper may be covered in toner. Be careful not to get toner on your hands or clothes.
- Toner on prints made immediately after clearing a paper jam may be insufficiently fused and may smudge. Make test prints on regular copy paper until smudges no longer appear.
- Do not forcefully remove jammed paper, as it may tear. Torn pieces remaining inside the machine will cause further jams and possibly damage the machine.
- Always remove a jam in the direction of the paper path. Forcing paper out the wrong way can damage the fuser and will require replacement.
- Paper jam can cause pages to be lost. Check your print job for missing pages and reprint any pages that did not print out.

If paper jams inside the fusing unit, follow the procedure below to remove it.

- Since the temperature around the guide is high, wait for it to cool down before checking for jammed paper.



1. Pull the front cover open lever and then carefully lower the front cover.
2. Lower the fusing unit lever, and pull out the jammed paper carefully.
3. Do not touch the fusing unit.



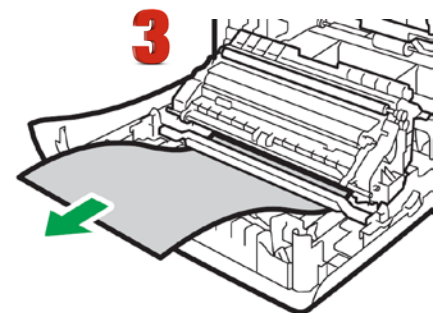
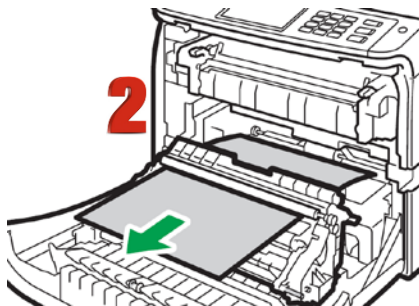
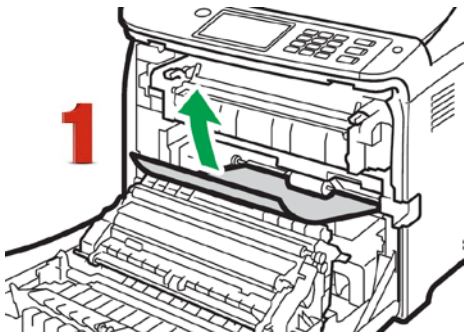
4. Pull the paper downward to remove it. Do not pull it upward.
5. If you cannot find the jammed paper, check for it by pulling down the guide.
6. Pull up the fusing unit levers.

If paper jams inside a tray


1. Pull out the jammed paper carefully. Do not pull out the paper tray or touch the fusing unit.

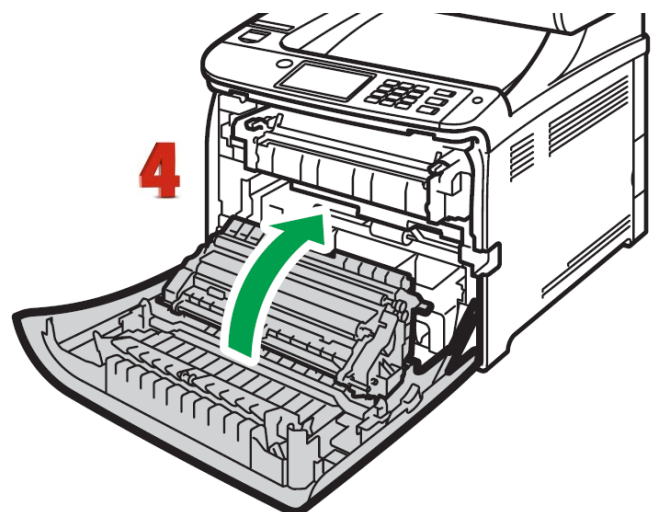
If paper has jammed inside the transfer unit

2. Holding both sides of the paper, pull the paper carefully forward.
3. Then pull out.



4. Once the jam is cleared, using both hands, carefully push up the front cover until it closes. When closing the front cover, push the upper area of the cover firmly. After closing the cover, check that the error is cleared.

 Contact Uninet technical support if you have trouble removing jams.



IColor™ 350 System Specifications

Print Speed: Up to 20 ppm Color and Monochrome

Processor: 350 MHz

Duty Cycle: Up to 30,000 pg/mo.

Duplex: Standard

Memory: 256mb RAM

Resolution: Up to 2400 x 600 dpi

Emulation: PCL6c/5c, PostScript3 emulation, PictBridge 3™

Operating Systems: Microsoft Windows® 8 / 10 / 11 (x32 & x64);

Interfaces: 10Base-T/100Base-TX, IEEE 802.11b/g/n, NFC Tag, USB 2.0 High speed Type A (For Pictbridge, Scan to USB Flash Drives)

Paper Cassette: 250-sheet Legal/Letter/Universal

Paper Sizes (Min./Max.): A4, A5, A6, B5, B6, Legal, Letter, HLT, Executive, F, Foolscap, Folio, Envelopes (Com10, Monarch, C5, C6, DL) Custom size: (Min.) 90 x 148 mm, (Max.) 216 x 356 mm

Paper Weight: Standard Tray: 60 - 160 g/m; Optional Tray: 60 - 105 g/m; Bypass: 60 - 160 g/m; Duplex: 60 - 90 g/m

Size (WxDxH): 15.8" x 17.7" x 12.6" (40 cm x 45 cm x 32 cm)

Weight: 62.4 lb. (28.3 kg)

Power Consumption (maximum): 11 amps (120v models) or 6 amps (230v models)

Power Options: 120v & 230v models